

The Crafter

Customer Product Guide



Commercial
Vehicles



The Crafter - Model Offer

Medium Wheel Base

Trimline	Model Code	Engine / Transmission	GVW(KG)	VAT	VRT	RRP* (incl VAT)	ROTR* (Ex.VAT)	ROTR* (Incl VAT)
Startline	SYBA2AAN	2.0 TDI 102hp 6-speed manual	3000	€ 5,366.67	€ 200.00	€ 28,125.00	€ 23,533.33	€ 28,900.00
	SYBA4AAN	2.0 TDI 140hp 6-speed manual	3000	€ 5,742.52	€ 200.00	€ 30,135.00	€ 25,167.48	€ 30,910.00
	SYBA4BAN	2.0 TDI 140hp 8-speed automatic	3000	€ 6,174.47	€ 200.00	€ 32,445.00	€ 27,045.53	€ 33,220.00
	SYBA8YAN	2.0 TDI 177hp 6-speed manual 4M	3000	€ 6,874.76	€ 200.00	€ 36,190.00	€ 30,090.24	€ 36,965.00
	SYBA8ZAN	2.0 TDI 177hp 8-speed automatic 4M	3000	€ 7,304.84	€ 200.00	€ 38,490.00	€ 31,960.16	€ 39,265.00
	SYBB4AAN	2.0 TDI 140hp 6-speed manual	3500	€ 6,349.31	€ 200.00	€ 33,380.00	€ 27,805.69	€ 34,155.00
	SYBB4BAN	2.0 TDI 140hp 8-speed automatic	3500	€ 6,780.33	€ 200.00	€ 35,685.00	€ 29,679.67	€ 36,460.00
	SYBB4YAN	2.0 TDI 140hp 6-speed manual 4M	3500	€ 7,117.85	€ 200.00	€ 37,490.00	€ 31,147.15	€ 38,265.00
	SYBB8AAN	2.0 TDI 177hp 6-speed manual	3500	€ 6,730.77	€ 200.00	€ 35,420.00	€ 29,464.23	€ 36,195.00
	SYBB8BAN	2.0 TDI 177hp 8-speed automatic	3500	€ 7,163.66	€ 200.00	€ 37,735.00	€ 31,346.34	€ 38,510.00
	SYBB8YAN	2.0 TDI 177hp 6-speed manual 4M	3500	€ 7,499.31	€ 200.00	€ 39,530.00	€ 32,805.69	€ 40,305.00
	SYBB8ZAN	2.0 TDI 177hp 8-speed automatic 4M	3500	€ 7,928.46	€ 200.00	€ 41,825.00	€ 34,671.54	€ 42,600.00

Trendline Pack (MWB) = €2,222 + VAT

*ROTR = Retail On The Road

*RW = Rear wheel drive

*RRP = Recommended Retail Price

*4M = 4Motion

The Crafter - Model Offer

Medium Wheel Base High Roof

Trimline	Model Code	Engine / Transmission	GVW(KG)	VAT	VRT	RRP* (incl VAT)	ROTR* (Ex.VAT)	ROTR* (Incl VAT)
Startline	SYBB4EA	2.0 TDI 140hp 6-speed manual RW	3500	€ 7,122.52	€ 200.00	€ 37,515.00	€ 31,167.48	€ 38,290.00
	SYBB8EA	2.0 TDI 177hp 6-speed manual RW	3500	€ 7,506.79	€ 200.00	€ 39,570.00	€ 32,838.21	€ 40,345.00

Trendline Pack (MWB) = €2,222 + VAT

*ROTR = Retail On The Road

*RRP = Recommended Retail Price

*RW = Rear wheel drive

*4M = 4Motion

The Crafter - Model Offer

Long Wheel Base

Trimline	Model Code	Engine / Transmission	GVW(KG)	VAT	VRT	RRP (incl VAT)	ROTR* (Ex.VAT)	ROTR* (Incl VAT)
Startline	SYCB4AA	2.0 TDI 140hp 6-speed manual	3500	€ 6,896.26	€ 200.00	€ 36,305.00	€ 30,183.74	€ 37,080.00
	SYCB4BA	2.0 TDI 140hp 8-speed automatic	3500	€ 7,328.21	€ 200.00	€ 38,615.00	€ 32,061.79	€ 39,390.00
	SYCB4EA	2.0 TDI 140hp 6-speed manual RW	3500	€ 7,434.80	€ 200.00	€ 39,185.00	€ 32,525.20	€ 39,960.00
	SYCB4YA	2.0 TDI 140hp 6-speed manual 4M	3500	€ 7,663.86	€ 200.00	€ 40,410.00	€ 33,521.14	€ 41,185.00
	SYCB8AA	2.0 TDI 177hp 6-speed manual	3500	€ 7,257.15	€ 200.00	€ 38,235.00	€ 31,752.85	€ 39,010.00
	SYCB8BA	2.0 TDI 177hp 8-speed automatic	3500	€ 7,613.37	€ 200.00	€ 40,140.00	€ 33,301.63	€ 40,915.00
	SYCB8EA	2.0 TDI 177hp 6-speed manual RW	3500	€ 7,797.56	€ 200.00	€ 41,125.00	€ 34,102.44	€ 41,900.00
	SYCB8YA	2.0 TDI 177hp 6-speed manual 4M	3500	€ 8,024.76	€ 200.00	€ 42,340.00	€ 35,090.24	€ 43,115.00
	SYCB8ZA	2.0 TDI 177hp 8-speed automatic 4M	3500	€ 8,453.90	€ 200.00	€ 44,635.00	€ 36,956.10	€ 45,410.00
	SYCD8CA	2.0 TDI 177hp 6-speed manual RW	5000	€ 8,878.37	€ 200.00	€ 46,905.00	€ 38,801.63	€ 47,680.00
	SYCD8DA	2.0 TDI 177hp 6-speed automatic RW	5000	€ 9,309.39	€ 200.00	€ 49,210.00	€ 40,675.61	€ 49,985.00

Trendline Pack (LWB) = €2,222 + VAT

Extra Long Wheel base

Trimline	Model Code	Engine / Transmission	GVW(KG)	VAT	VRT	RRP (incl VAT)	ROTR* (Ex.VAT)	ROTR* (Incl VAT)
	SYDB4AA	2.0 TDI 140hp 6-speed manual	3500	€ 7,468.46	€ 200.00	€ 39,365.00	€ 32,671.54	€ 40,140.00
	SYDB8AA	2.0 TDI 177hp 6-speed manual	3500	€ 7,562.89	€ 200.00	€ 39,870.00	€ 33,082.11	€ 40,645.00
	SYDB8BA	2.0 TDI 177hp 8-speed automatic	3500	€ 7,993.90	€ 200.00	€ 42,175.00	€ 34,956.10	€ 42,950.00
	SYDB8YA	2.0 TDI 177hp 6-speed manual 4M	3500	€ 8,330.49	€ 200.00	€ 43,975.00	€ 36,419.51	€ 44,750.00
	SYDB8ZA	2.0 TDI 177hp 8-speed automatic 4M	3500	€ 8,760.57	€ 200.00	€ 46,275.00	€ 38,289.43	€ 47,050.00
	SYDD8CB	2.0 TDI 177hp 6-speed manual RW	5000	€ 9,119.59	€ 200.00	€ 48,195.00	€ 39,850.41	€ 48,970.00

Trendline Pack (EXLWB) = €2,222 + VAT

*ROTR = Retail On The Road

*RW = Rear Wheel Drive

*RRP = Recommended Retail Price

*4M = 4Motion

The Crafter - Standard Equipment Startline

Exterior

Cab doors with power windows

Exhaust tailpipe extruding at vehicle center

Fuel tank filter secured by locking passenger door

Towing eye front and rear

Rear wing doors

Side marker lights on LWB* and ELWB* models

Left sliding door in load compartment

Side wind compensation

75-litre lockable fuel tank

Cargo Area

Interior entry step

Lashing rings for load compartments

Rear door interior release lever

Steel flooring

Door activated interior lights

Audio & Communications

Mobile phone interface

"Composition Audio" - Bluetooth

Radio FM/AM

Safety & Security

Anti-lock Braking System (ABS)

Brake assist

Electronic Brake-Force Distributions (EBD)

Electronic Differential Lock (EDL)

Electronic stabilisation programme (ESP)

Height-adjustable head restraints

Hill start assist

Remote Central Locking with interior locking

Cab Area

"Austin" cloth upholstery

Heat insulated windshield made of laminated glass

Convenient storage compartments

Interior lighting in passenger compartment

Internal steps in passenger compartment

Bulkhead without window

Rubber floor covering in cab

Drivers seat with reach and rake adjustments

Dual passenger seat with storage

Electric front windows

12v sockets x2

Two reading lights



The above specifications are for information purposes only as our products are continually updated and changes may be made to the specifications at any time. If you require any specific feature, you must consult your local dealer who is regularly updated with any change in specification. Specifications are subject to change without notice.

*LWB = Long Wheel Base

*ELWB =Extra Long Wheel base

The Crafter - Standard Equipment

Trendline - in addition to startline

Audio & Communications

App-Connect

Radio 'Composition Media' with 8" touch screen

Cab Area

Comfort driver seat 'Plus' with armrests, height adjustment, tilt adjustment and 4 way electric lumbar support

Heated windscreen

Rear park distance control

Cruise control

Multi-function steering wheel

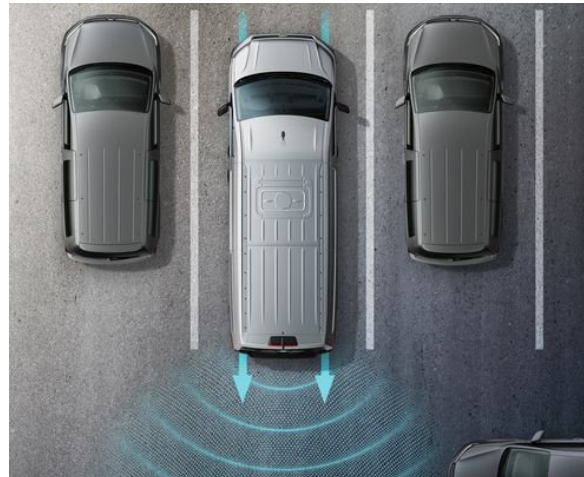
Cargo Area

Grab handles on rear pillars

Exterior

Rear wing doors 270 degree opening

Front fog lamps with cornering function



The above specifications are for information purposes only as our products are continually updated and changes may be made to the specifications at any time. If you require any specific feature, you must consult your local dealer who is regularly updated with any change in specification. Specifications are subject to change without notice.

The Crafter - Optional colours

Solid Paint Finishes - No additional cost



Candy White



Cherry Red



Bright Orange



Deep Ocean

Metallic Paint Finishes - MWB = €1,496



Reflex Silver

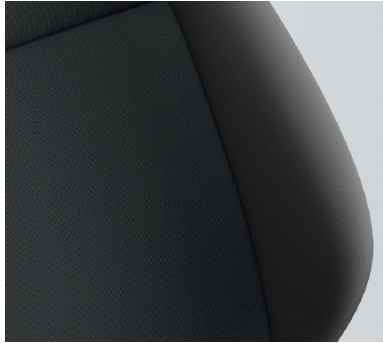


Indium Grey

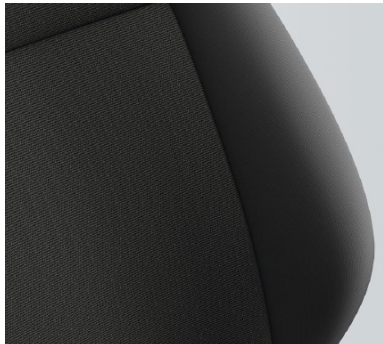


Deep Black (Pearlescent Effect)
€1,582

The Crafter - Upholstery & Wheels



Austin
Titanium Black Cloth



Marathon
Moonrock Robust Cloth



Leatherette
Moonrock Synthetic Leather

1



2



3



No.	Description	Price
1	Steel wheel - Silver (Standard)	€0
2	Steel Wheel - Black	€0
3	Alloy wheel - Silver	€1,686

The Crafter - Optional Extras

Air Conditioning

Pk. Code	Pk. Code	Forced	Description	Startline	Trendline
2AB		ZK1/1S2	Second air conditioning compressor	€768	€768
ZK1			Air conditioning system 'Climatic'	€1,830	€1,830
PK3			Air conditioning 'Climatic' with 2nd evaporator (includes storage pack 1)	€2,786	€2,786
	KK6		Air conditioning system with electronic control in cab	-	-
	QE1		Storage pack 1: Overhead storage compartment with one din slot and reading light	-	-
	6AB		2nd evaporator	-	-

Cabin

Pr. Code	Pk. Code	Forced	Description	Startline	Trendline
QE4			Storage Pack: Overhead in cab, reading light + 2 DIN slots	€166	€166
7N4		3R2/QE4	Storage compartment above cab, accessible from load compartment	€184	€184
3W6			Interior sound insulation measures premium	€0	€0
2ZA			Multi-function steering wheel	€343	Standard
4Z3			Illuminated glove compartment with lockable lid	€30	Standard
2ZW		8T7/8T6/ ZF1/ZF6	Heated leather wrapped multi-function steering wheel	€591	€229
9JC			Smoker's package: 12V outlet with cigarette lighter, ashtray and 4 beverage holders	€35	€35
EU4			Four 12-V outlets in the cab	€67	€67
7B3			Two 12-V outlets in the cab / load compartment	€67	€67
9N2			Step illumination in front, deactivatable	€66	€66

The Crafter - Optional Extras

Doors

Pr. Code	Pk. Code	Forced	Description	Startline	Trendline
5V4			Hinges for rear wing doors with increased opening angle 270'	€525	Standard
OD3			Heavy duty hinges on driver door	€72	€72
5Q1			Left sliding door with interlock for certain opening positions	€47	€47
ZHF			Rear wing doors with windows	€177	€177

FCU

Pr. Code	Pk. Code	Forced	Description	Startline	Trendline
US2		IS2/IS3/IS4	Speed regulator, electronic and variable	€171	€171
9ND		4N7	Preparation for tachograph with preparation for accident data recorder	€406	€406
9NE		4N7	Digital tachograph	€780	€780
IS8			Terminal block and function control with telematics prep and body builder	€707	€707
7VL		QE4/QE1	Programmable parking heater and radio remote control with auxiliary coolant 'booster heater'	€1,169	€1,169
9M5		PK3/ZK1	Diesel fuelled coolant heater (active during engine operation to support standard heater)	€667	€667
IS2			Terminal Block and Function Control Module 1 with bodybuilder programming	€383	€383
IS3			Terminal Block and Function Control Module 1 with Telematics Prep for Body Builders	€659	€659
IS4			Function Control Module 1	€236	€236

The Crafter - Optional Extras

Driver Aid

Pr. Code	Pk. Code	Forced	Description	Startline	Trendline
IL1			Acoustic warning when in reverse, dimming	€201	€201
IL2			Acoustic warning when in reverse, deactivatable	€308	€308
6K2			Front assist with emergency breaking	€289	€289
7AQ		QE4/QE1	Anti-theft warning system with back-up horn, interior monitoring and tow-away protection	€578	€578
7X2			Park Distance control front and rear	€667	Standard
8A6		1D1/1D2	Trailer assist	€296	€296
9X0		Z34/Z44	Park distance control in front and rear with active side protection	€1,064	€1,064
9X1		Z34/Z44	Park assist and Park distance control front and rear with active side protection	€1,263	€1,263
9X3		1D1/1D2	Trailer assist, park assist, and park distance control with side-active side protection	€1,559	€1,559
8T6			Cruise control system	€395	Standard
8T7		6K3/ZF2/ Z34/ZZW	Adaptive cruise control ACC up to 160km/h	€1,125	€731
6Y1			Speed warning system	€122	€122
QR9		Z44/ZLS	Dynamic road sign display	€318	€318
KA1		Z34/Z44	Rear view camera system	€278	€278
9S5			Multi-function display 'Plus'	€65	€65
7K3			Tyre pressure monitoring system	€395	€395
7Y4			Lane assist	€502	€502
7Y8		9X0/9X2/9X3	Blind spot monitor including rear traffic alert	€408	€408
7Y9		9X0/9X2/9X3	Lane assist with blind spot monitor and rear traffic alert	€910	€910
ZF1		Z34/Z44	Driver assistance package 1: cruise control system and lane keeping system lane assist	€1,108	€384
	EM1		Driver alert system	-	-
	2ZA		Multi-function steering wheel	-	-
	7Y4		Lane keeping system lane assist	-	-
	8T6		Cruise control system including speed limiter	-	-
	9S5		Multi-function display "plus"	-	-

The Crafter - Optional Extras

Driver Aid continued

Pr. Code	Pk. Code	Forced	Description	Startline	Trendline
ZF2		Z34/Z44	Driver assist. package 2: Forward Collision Warning Front Assist AndAdaptive Cruise	€1,708	€1,366
	EM1		Driver alert system	-	-
	2ZA		Multi-function steering wheel	-	-
	6K3		Forward collision warning front assist with autonomous emergency braking	-	-
	7Y4		Lane assist	-	-
	8T7		Adaptive cruise control ACC up to 160Km/h	-	-
	9S5		Multi-function display	-	-
ZAC		Z34/Z44	Driver assistance package 3: rear view camera system, Front Assist, ACC, Lane Assist, Side Assist, and Light Assist	€4,144	€4,144
	KA1		Rear view camera system	-	-
	2ZA		Multi-function steering wheel	-	-
	6K3		Forward collision warning front assist with autonomous emergency braking	-	-
	6XP		Exterior mirrors, power adjustable, heated and folding	-	-
	7Y9		Lane keeping system lane assist including blind spot monitoring with rear traffic alert	-	-
	8G1		High-beam control light assist	-	-
	8K3		Separate daytime running light with automatic headlight control, leaving and coming home feature	-	-
	8N6		Windshield wiper intermittent control with light and rain sensor	-	-
	8T7		Adaptive cruise control ACC up to 160Km/h	-	-
	9S5		Multi-function display "plus"	-	-
	9X3		Trailer maneuvering system trailer assist, park assist, and park distance control with sensor-based side protection	-	-
ZSA		Z34/Z44	Park distance control in front and rear with active side protection and lane change system Side Assist	€1,582	€1,582
	6XP		Exterior mirrors, power adjustable, heasted and folding	-	-
	7Y8		Blind spot monitor incl. rear traffic alert	-	-
	9S5		Multi-function display "plus"	-	-
	9X0		Park distance control in front and rear with sensor based side protection	-	-

The Crafter- Optional Extras

Lights

Pr. Code	Pk. Code	Forced	Description	Startline	Trendline
9H1			Roof turn signals in rear	€166	€166
ZLS			Lights and Vision Package	€420	€420
8IT			LED Headlamps with separate LED daytime running lights	€1,158	€1,158
9CW			Load compartment lighting, 4 LED spot lights	€194	€194
8WH			Front fog lamps with cornering light	€278	Standard
YRA		9LN	Yellow rotating beacons, front left and rear right	€849	€849
8F1			Side marker lamps	€107	€107
ZSR			Headlamp washer system and washer fluid level indicator	€331	€331

Load Compartment

Pr. Code	Pk. Code	Forced	Description	Startline	Trendline
5BD			Wooden floor with loading edge protector in rear	€686	€686
6L5		3R2	C-Rails, side panel, partition and roof bow	€639	€639
QT4		8F1	Step in rear, extending over complete width (Please note, cannot retro fit tow-bar with this option, must order QT9 if tow bar is required)	€154	€154
QT9		8F1/1D1/ 1D2	Step in rear, extending over half - width	€122	€122
7C3			Grab handles on rear pillars	€30	Standard
5DB			Rear side trim in load compartment made of medium height hardboard	€224	€224
5DU			Rear side trim in load compartment made of plywood, extending up to the roof frame	€649	€649
YDH		6B0	Universal floor covering with transverse lashing rails	€1,015	€1,015
YDA		6B0	Universal floor covering with longitudinal lashing rails	€1,015	€1,015
YDG		YDM	Roof rack in load compartment (2 bars, movable w/ 50kg load capacity)	€367	€367
YBC		YBB	Ladder bracket for roof rack (interior)	€178	€178
YDD			2 Storage bags at rear wing doors	€213	€213
YDK		5DB/5DU	Storage box above left wheel housing in load compartment	€208	€208
YDL		5DB/5DU	Storage box above right wheel housing in load compartment	€208	€208
YDC		5DB/5DU	Storage box above both wheel housings in load compartment	€385	€385

The Crafter - Optional Extras

Media

Pr. Code	Pk. Code	Forced	Description	Startline	Trendline
Z34			Composition 'Media' with 8" touch screen	€614	Standard
Z44			Navigation system 'Discover Media' with 8" touch screen	€1,258	€1,258

Accessories

Pr. Code	Pk. Code	Forced	Description	Startline	Trendline
1D1			Trailer hitch (Not available with full step QT4)	€726	€726
1D2			Removable and Lockable trailer hitch	€910	€910
1D7			Trailer hitch prep, wiring, electronic control unit (Not available with full step QT4)	€241	€241
6XP		7Y8/7X9/ZSA	Electric folding heated mirrors	€175	€175
ZTL		3SC/3SF /3SE	Style & Function Pack (4 12-V outlets, storage pack 2, Chrome package, interior sound insulation measures, lockable	€929	€929
4HS		ZHF/ZFP	Rear window, heated, with rear wiper and washer system	€460	€460
4L2			Dimming breakaway interior rear view mirror	€0	€0
6N2			Mud flaps in front and rear	€107	€107
1T6			First aid kit, warning triangle, safety vest and warning light	€59	€59
4GX			Heat - insulating windshield made of laminated glass, heated	€283	Standard
8FD		1S1/VV8	Second battery with cut-off relay	€390	€390

The Crafter - Optional Extras

Partition

Pr. Code	Pk. Code	Forced	Description	Startline	Trendline
3CG			Partition with fixed window	€82	€82
3CH			Partition with sliding window	€343	€343
ZTO			Elimination of partition	€0	€0

Preperation

Pr. Code	Pk. Code	Forced	Description	Startline	Trendline
5S4		8FD & ZK1	Electric lift-gate preparation	€121	€121

Roof

Pr. Code	Pk. Code	Forced	Description	Startline	Trendline
YDM		3R2	2 Longitudial lashing rails on the outside under the roof	€196	€196
3R2		SYB***	High Roof	€1,283	€1,283
YBB		YBA	Roof rack, mounting of 3 sliding roof rails on the roof rail system	€420	€420
ZD3			Super-high Roof (LWB/LWB +)	€2,729	€2,729

Safety

Pr. Code	Pk. Code	Forced	Description	Startline	Trendline
4UF		Updrad seat	Passenger airbag de-activation	€236	€236
4X3		4UF	Side and curtain airbags for driver and front passenger	€1,092	€1,092
4X6			Side and curtain airbag for driver	€639	€639

The Crafter - Optional Extras

Seats

Pr. Code	Pk. Code	Forced	Description	Startline	Trendline
3SC			Suspended seat on the right	€567	€567
3SE			Comfort seat on the right	€227	€227
3SF			Comfort seat 'Plus' on the right	€324	€324
N0C		AL Interior	Seat trim covers in leatherette 'Mesh'	€65	€65
N1C		AL Interior	Robust seat covers in fabric 'Marathon'	€161	€161
N2C			Seat trim covers in fabric 'Memphis'	€0	€0
4A3		ZK1/PK3	Seat heater, left and right, separately controllable	€308	€308

Suspension

Pr. Code	Pk. Code	Forced	Description	Startline	Trendline
1BJ			Heavy duty suspension and shock absorption	€201	€201
2MG			Heavy duty suspension with shocks and stabilizers	€325	€325

The Crafter - Technical Data

Model	Engine (Kw)	Engine (cc)	No. Doors	No. Seats	Co2 (g)	Gross Vehicle Weight (Kg)	Payload (Kg)	Unladen Weight (Kg)	Trailer mass braked/unbraked (Kg)	Axel weight front (Kg)	Axel weight rear (Kg)
Crafter 30 Medium Wheel Base 102HP M6F	75	1968	5	3	TBC	3000	914	2011	2500/750	1800	2100
Crafter 30 Medium Wheel Base 140HP M6F	103	1968	5	3	TBC	3000	905	2020	3000/750	1800	2100
Crafter 30 Medium Wheel Base 140HP A8F	103	1968	5	3	TBC	3000	873	2052	3000/750	1800	2100
Crafter 30 Medium Wheel Base 177HP M6A	130	1968	5	3	TBC	3000	779	2146	3000/750	1800	2100
Crafter 30 Medium Wheel Base 177HP A8A	130	1968	5	3	TBC	3000	747	2178	3000/750	1800	2100
Crafter 35 Medium Wheel Base 140HP M6F	103	1968	5	3	TBC	3500	1405	2020	3000/750	1800	2100
Crafter 35 Medium Wheel Base 140HP A8F	103	1968	5	3	TBC	3500	1373	2052	3000/750	1800	2100
Crafter 35 Medium Wheel Base 140HP M6A	103	1968	5	3	TBC	3500	1278	2147	3000/750	1800	2100
Crafter 35 Medium Wheel Base 177HP M6F	130	1968	5	3	TBC	3500	1396	2029	3000/750	1800	2100
Crafter 35 Medium Wheel Base 177HP A8F	130	1968	5	3	TBC	3500	1364	2061	3000/750	1800	2100
Crafter 35 Medium Wheel Base 177HP M6A	130	1968	5	3	TBC	3500	1269	2156	3500/750	1800	2100
Crafter 35 Medium Wheel Base 177HP A8A	130	1968	5	3	TBC	3500	1237	2188	3000/750	1800	2100
Crafter 35 Long Wheel Base 144HP M6F	103	1968	5	3	TBC	3500	1269	2156	3000/750	1800	2100
Crafter 35 Long Wheel Base 144HP A8F	103	1968	5	3	TBC	3500	1237	2188	3000/750	1800	2100
Crafter 35 Long Wheel Base 144HP M6R SW	103	1968	5	3	TBC	3500	1167	2258	3500/750	1800	2100
Crafter 35 Long Wheel Base 144HP M6A	103	1968	5	3	TBC	3500	1142	2283	3000/750	1800	2100
Crafter 35 Long Wheel Base 177HP M6F	130	1968	5	3	TBC	3500	1259	2166	3000/750	1800	2100
Crafter 35 Long Wheel Base 177HP A8F	130	1968	5	3	TBC	3500	1227	2198	3000/750	1800	2100
Crafter 35 Long Wheel Base 177HP M6R SW	130	1968	5	3	TBC	3500	1158	2267	3000/750	1800	2100
Crafter 35 Long Wheel Base 177HP M6A	130	1968	5	3	TBC	3500	1133	2292	3000/750	1800	2100
Crafter 35 Long Wheel Base 177HP A8A	130	1968	5	3	TBC	3500	1101	2324	3000/750	1800	2100

The Crafter - Technical Data

Model	Engine (Kw)	Engine (cc)	No. Doors	No. Seats	Co2 (g)	Gross Vehicle Weight (Kg)	Payload (Kg)	Unladen Weight (Kg)	Trailer mass braked/unbraked (Kg)	Axel weight front (Kg)	Axel weight rear (Kg)
Crafter 35 Medium Wheel Base 140HP M6R SW	103	1968	5	3	TBC	3500	1281	2175	3000/750	1800	2100
Crafter 35 Medium Wheel Base 177HP M6R SW HR	130	1968	5	3	TBC	3500	1272	2184	3000/750	1800	2100

The Crafter - Technical Data

Model	Engine (Kw)	Engine (cc)	No. Doors	No. Seats	Co2 (g)	Gross Vehicle Weight (Kg)	Payload (Kg)	Unladen Weight (Kg)	Trailer mass braked/unbraked (Kg)	Axel weight front (Kg)	Axel weight rear (Kg)
Crafter T 30 Medium Wheel Base 102HP M6F	75	1968	5	3	TBC	3000	891	2011	2500/750	1800	2100
Crafter T 30 Medium Wheel Base 140HP M6F	103	1968	5	3	TBC	3000	882	2020	3000/750	1800	2100
Crafter T 30 Medium Wheel Base 140HP A8F	103	1968	5	3	TBC	3000	850	2052	3000/750	1800	2100
Crafter T 30 Medium Wheel Base 140HP M6A	103	1968	5	3	TBC	3000	765	2137	3000/750	1800	2100
	130	1968	5	3	TBC	3000	756	2029	3000/750	1800	2100
Crafter T30 Medium Wheel Base 177HP A8F	130	1968	5	3	TBC	3000	841	2061	3000/750	1800	2100
Crafter T 30 Medium Wheel Base 177HP M6A	130	1968	5	3	TBC	3000	756	2146	3000/750	1800	2100
Crafter T 30 Medium Wheel Base 177HP A8A	130	1968	5	3	TBC	3000	724	2178	3000/750	1800	2100
Crafter T 35 Medium Wheel Base 102HP M6F	75	1968	5	3	TBC	3500	1391	2011	2500/750	1800	2100
Crafter T 35 Medium Wheel Base 140HP M6F	103	1968	5	3	TBC	3500	1382	2020	3000/750	1800	2100
Crafter T 35 Medium Wheel Base 140HP A8F	103	1968	5	3	TBC	3500	1350	2052	3000/750	1800	2100
Crafter T 35 Medium Wheel Base 140HP M6A	103	1968	5	3	TBC	3500	1255	2147	3000/750	1800	2100
Crafter T 35 Medium Wheel Base 177HP M6F	130	1968	5	3	TBC	3500	1373	2029	3000/750	1800	2100
Crafter T 35 Medium Wheel Base 177HP A8F	130	1968	5	3	TBC	3500	1341	2061	3000/750	1800	2100
Crafter T 35 Medium Wheel Base 177HP M6A	130	1968	5	3	TBC	3500	1246	2156	3000/750	1800	2100
Crafter T 35 Medium Wheel Base 177HP A8A	130	1968	5	3	TBC	3500	1214	2188	3000/750	1800	2100
Crafter T 35 Long Wheel Base 102HP M6F	75	1968	5	3	TBC	3500	1254	2148	2500/750	1800	2100
Crafter T 35 Long Wheel Base 144HP M6F	103	1968	5	3	TBC	3500	1246	2156	3000/750	1800	2100
Crafter T 35 Long Wheel Base 144HP A8F	103	1968	5	3	TBC	3500	1214	2188	3000/750	1800	2100
Crafter T 35 Long Wheel Base 144HP M6R SW	103	1968	5	3	TBC	3500	1144	2258	3000/750	1800	2100
Crafter T 35 Long Wheel Base 144HP M6A	103	1968	5	3	TBC	3500	1119	2283	3000/750	1800	2100
Crafter T 35 Long Wheel Base 177HP M6F	130	1968	5	3	TBC	3500	1236	2166	3000/750	1800	2100
Crafter T 35 Long Wheel Base 177HP A8F	130	1968	5	3	TBC	3500	1204	2198	3000/750	1800	2100
Crafter T 35 Long Wheel Base 177HP M6R SW	130	1968	5	3	TBC	3500	1135	2267	3000/750	1800	2100
Crafter T 35 Long Wheel Base 177HP M6A	130	1968	5	3	TBC	3500	1110	2292	3000/750	1800	2100
Crafter T 35 Long Wheel Base 177HP A8A	130	1968	5	3	TBC	3500	1078	2324	3000/750	1800	2100

The Crafter - Technical Data

Model	Engine (Kw)	Engine (cc)	No. Doors	No. Seats	Co2 (g)	Gross Vehicle Weight (Kg)	Payload (Kg)	Unladen Weight (Kg)	Trailer mass broken/unbroken (Kg)	Axel weight front (Kg)	Axel weight rear (Kg)
Crafter T 30 Medium Wheel Base 102HP M6F HR	75	1968	5	3	TBC	3000	860	2042	2500/750	1800	2100
Crafter T 30 Medium Wheel Base 140HP M6F HR	103	1968	5	3	TBC	3000	851	2051	3000/750	1800	2100
Crafter T 30 Medium Wheel Base 140HP A8F HR	103	1968	5	3	TBC	3000	819	2083	3000/750	1800	2100
Crafter T 30 Medium Wheel Base 140HP M6A HR	103	1968	5	3	TBC	3000	734	2168	3000/750	1800	2100
Crafter T 30 Medium Wheel Base 177HP M6F HR	130	1968	5	3	TBC	3000	842	2060	3000/750	1800	2100
Crafter T 30 Medium Wheel Base 177HP A8F HR	130	1968	5	3	TBC	3000	810	2092	3000/750	1800	2100
Crafter T 30 Medium Wheel Base 177HP M6A HR	130	1968	5	3	TBC	3000	725	2177	3000/750	1800	2100
Crafter T 30 Medium Wheel Base 177HP A8A HR	130	1968	5	3	TBC	3000	693	2209	3000/750	1800	2100
Crafter T 35 Medium Wheel Base 102HP M6F HR	75	1968	5	3	TBC	3500	1360	2042	2500/750	1800	2100
Crafter T 35 Medium Wheel Base 140HP M6F HR	103	1968	5	3	TBC	3500	1351	2051	3000/750	1800	2100
Crafter T 35 Medium Wheel Base 140HP A8F HR	103	1968	5	3	TBC	3500	1319	2083	3000/750	1800	2100
Crafter T 35 Medium Wheel Base 140HP M6R SW HR	103	1968	5	3	TBC	3500	1258	2175	3000/750	1800	2100
Crafter T 35 Medium Wheel Base 140HP M6A HR	103	1968	5	3	TBC	3500	1224	2178	3000/750	1800	2100
Crafter T 35 Medium Wheel Base 177HP M6F HR	130	1968	5	3	TBC	3500	1342	2060	3000/750	1800	2100
Crafter T 35 Medium Wheel Base 177HP A8A HR	130	1968	5	3	TBC	3500	1183	2219	3000/750	1800	2100

The Crafter - Technical Data

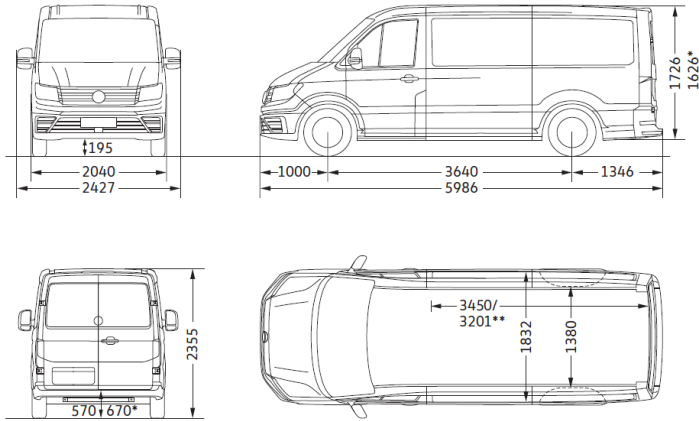
Model	Engine (Kw)	Engine (cc)	No. Doors	No. Seats	Co2 (g)	Gross Vehicle Weight (Kg)	Payload (Kg)	Unladen Weight (Kg)	Trailer mass broken/unbroken (Kg)	Axel weight front (Kg)	Axel weight rear (Kg)
Crafter 50 Long Wheel Base 177HP M6R DW	130	1968	5	3	TBC	5000	-	2494	3500/750	TBC	TBC
Crafter 50 Long Wheel Base 177HP A8R DW	130	1968	5	3	TBC	5000	-	2535	3500/750	TBC	TBC
Crafter 50 Medium Wheel Base 177HP M6R DW HR	130	1968	5	3	TBC	5000	-	2376	3500/750	TBC	TBC
Crafter 50 Medium Wheel Base 177HP A8R DW HR	130	1968	5	3	TBC	5000	-	2417	3500/750	TBC	TBC
Crafter T 50 Medium Wheel Base 177HP M6R DW	130	1968	5	3	TBC	5000	-	2345	3500/750	TBC	TBC
Crafter T 50 Medium Wheel Base 177HP A8R DW	130	1968	5	3	TBC	5000	-	2386	3500/750	TBC	TBC
Crafter T 50 Long Wheel Base 177HP M6R DW	130	1968	5	3	TBC	5000	-	2494	3500/750	TBC	TBC
Crafter T 50 Long Wheel Base 177HP A8R DW	130	1968	5	3	TBC	5000	-	2535	3500/750	TBC	TBC
Craft T 50 Medium Wheel Base 177HP M6R DW HR	130	1968	5	3	TBC	5000	-	2376	3500/750	TBC	TBC
Craft T 50 Medium Wheel Base 177HP A8R DW HR	130	1968	5	3	TBC	5000	-	2417	3500/750	TBC	TBC
Crafter 50 Extra Long Wheel Base 177HP M6R	130	1968	5	3	TBC	5000	-	2178	3000/750	1800	2100
Crafter T 50 Extra Long Wheel Base 177HP M6R	130	1968	5	3	TBC	5000	-	2178	3000/750	1800	2100

The Crafter - Technical Data

Model	Engine (Kw)	Engine (cc)	No. Doors	No. Seats	Co2 (g)	Gross Vehicle Weight (Kg)	Payload (Kg)	Unladen Weight (Kg)	Trailer mass broken/unbroken (Kg)	Axel weight front (Kg)	Axel weight rear (Kg)
Crafter 35 Extra Long Wheel Base 140HP M6F	103	1968	5	3	TBC	3500	1261	2020	3000/750	1800	2100
Crafter 35 Extra Long Wheel Base 177HP M6F	130	1968	5	3	TBC	3500	1189	2029	3000/750	1800	2100
Crafter 35 Extra Long Wheel Base 177HP A8F	130	1968	5	3	TBC	3500	1157	2061	3000/750	1800	2100
Crafter 35 Extra Long Wheel Base 177HP M6A	130	1968	5	3	TBC	3500	1062	2146	3000/750	1800	2100
Crafter 35 Extra Long Wheel Base 177HP A8A	130	1968	5	3	TBC	3500	1030	2178	3000/750	1800	2100
Crafter T 35 Extra Long Wheel Base 102HP M6F	75	1968	5	3	TBC	3500	1191	2011	2500/750	1800	2100
Crafter T 35 Extra Long Wheel Base 140HP M6F	103	1968	5	3	TBC	3500	1246	2020	3000/750	1800	2100
Crafter T 35 Extra Long Wheel Base 140HP A8F	103	1968	5	3	TBC	3500	1151	2052	3000/750	1800	2100
Crafter T 35 Extra Long Wheel Base 140HP M6A	103	1968	5	3	TBC	3500	1056	2137	3000/750	1800	2100
Crafter T 35 Extra Long Wheel Base 177HP M6F	130	1968	5	3	TBC	3500	1174	2029	3000/750	1800	2100
Crafter T 35 Extra Long Wheel Base 177HP A8F	130	1968	5	3	TBC	3500	1142	2061	3000/750	1800	2100
Crafter T 35 Extra Long Wheel Base 177HP M6A	130	1968	5	3	TBC	3500	1047	2146	3000/750	1800	2100
Crafter T 35 Extra Long Wheel Base 177HP A8A	130	1968	5	3	TBC	3500	1015	2178	3000/750	1800	2100

The Crafter - Technical Data

Medium Wheel Base Normal Roof

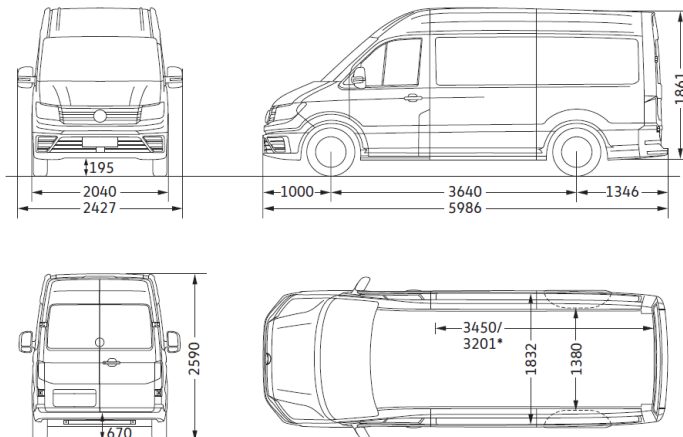


*This value applies for 4MOTION all-wheel drive.

Descriptions	Dimensions
Load compartment, volume (m ³) with front wheel drive/4Motion	9.9/9.3
Lateral sliding door, width x height (mm)	
- with front wheel drive	1,311 x 1,587
- with 4Motion	1,311 x 1,487
Rear wing doors, width x height (mm)	
- with front wheel drive	1,552 x 1,605
- with 4Motion	1,552 x 1,505
Turning circle (m)	13.6



Medium Wheel Base High Roof

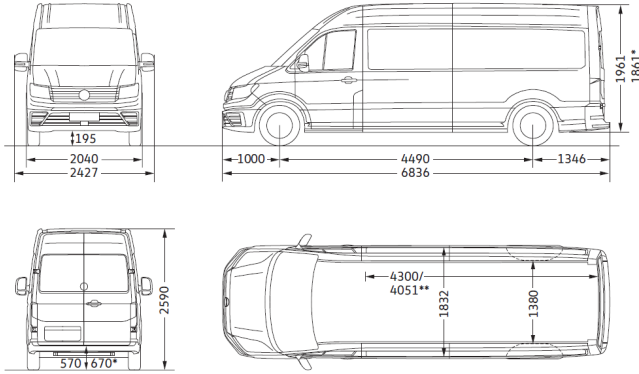


Descriptions	Dimensions
Load compartment, volume (m ³)	10.7
Lateral sliding door, width x height (mm)	1,311 x 1,722
Rear wing doors, width x height (mm)	1,552 x 1,740
Turning circle (m)	13.6



The Crafter - Technical Data

Long Wheel Base High Roof



*This value applies for 4MOTION all-wheel drive and rear-wheel drive.
 **Load compartment length, max. (at floor level)/load compartment length, min.

Descriptions	Dimensions
--------------	------------

Load compartment, volume (m ³) with front wheel drive/4Motion/ rear wheel drive	14.4/13.6/13.6
---	----------------

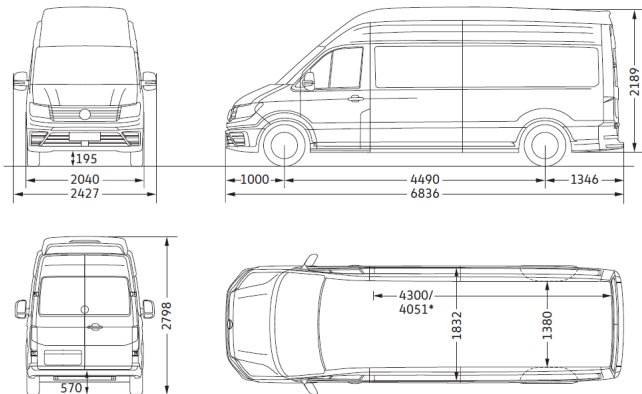
Lateral sliding door, width x height (mm)	
- with front wheel drive	1,311 x 1,822
- with 4Motion	1,311 x 1,722

Rear wing doors, width x height (mm)	
- with front wheel drive	1,552 x 1,840
- with 4Motion	1,552 x 1,740

Turning circle (m)	16.2
--------------------	------



Long Wheel Base Super High Roof



*Load compartment length, max. (at floor level)/load compartment length, min.

Descriptions	Dimensions
--------------	------------

Load compartment, volume (m ³)	16.1
--	------

Lateral sliding door, width x height (mm)	1,311 x 1,822
---	---------------

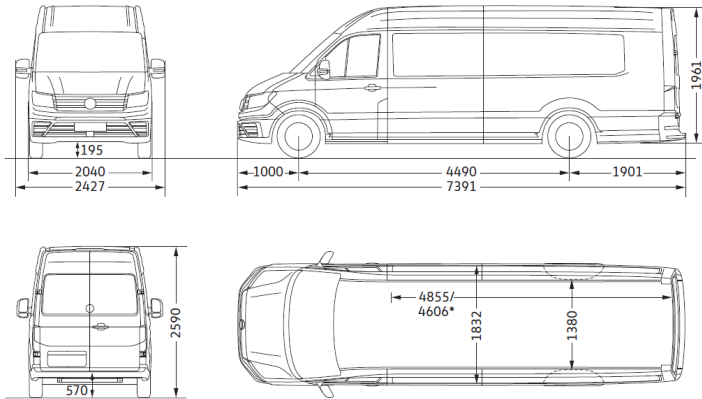
Rear wing doors, width x height (mm)	1,552 x 1,840
--------------------------------------	---------------

Turning circle (m)	16.2
--------------------	------



The Crafter - Technical Data

Extra Long Wheel Base High Roof

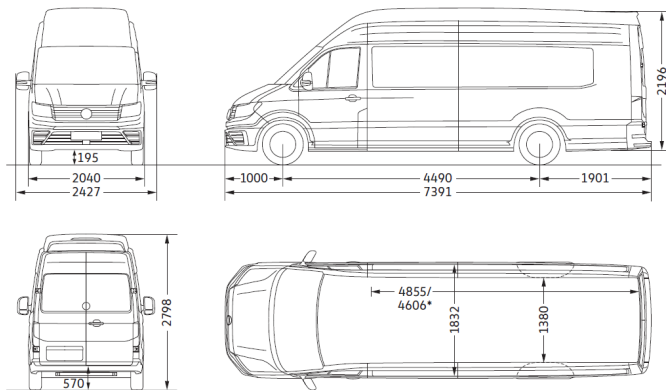


*Load compartment length, max. (at floor level)/load compartment length, min.

Descriptions	Dimensions
Load compartment, volume (m ³)	16.4
Lateral sliding door, width x height (mm)	1,311 x 1,822
Rear wing doors, width x height (mm)	1,552 x 1,840
Turning circle (m)	16.2



Extra Long Wheel Base Super High Roof



*Load compartment length, max. (at floor level)/load compartment length, min.

Descriptions	Dimensions
Load compartment, volume (m ³)	18.4
Lateral sliding door, width x height (mm)	1,311 x 1,822
Rear wing doors, width x height (mm)	1,552 x 1,840
Turning circle (m)	16.2



Volkswagen Crafter Accessories



Top 10 accessories to keep your
Transporter 100% Volkswagen.



Floor Mats.

The Volkswagen Genuine all-weather mats protect your vehicle interior from dirt and moisture. They are designed to fit perfectly, are easy to clean and have a non-slip underside. One particular visual highlight is the modern design of the floor mats. It helps them blend in seamlessly with the interior of the Crafter. The floor mats are also 100% recyclable, very sturdy and durable. The material allows the Genuine all-weather floor mats to be considerably lighter than standard floor mats.

Rubber mats
7C2061502A 82V **€58.00**



App-Connect.

App Connect – Innovative technologies that allow you to bring smartphone apps onto your infotainment system's touchscreen: the new CarPlay™ function from Apple, and the Android Auto™ function from Google. APPLE CARPLAY™ from Apple, you can manage selected apps from your iPhone while on the move. The apps can be operated with all the ease that you'll have come to expect from an iPhone. Maps, phone, news, music – everything just at the touch of a button. And if you choose, you can even operate the system by voice control. As well as the apps from Apple™, CarPlay™ supports other apps such as Spotify, Stitcher, & Skype . ANDROID AUTO™ from Google enables you to operate suitable apps safely from your smartphone using the Android operating system while driving. With Google Voice, you operate everything by voice input, and you can listen to songs using Google Play Music, Pandora or Spotify, for example. Many other apps are also already supported. As well as the apps from Google™, Android Auto™ supports other apps such as Joyride, Podcast Player, Spotify, Stitcher, Umano, and Pocket Cast.

Convenience and safety
7H0054830 **€295.00**



Premium USB Phone Charging Cable.

Available for all phones and gives good connectivity for use charging or when using in conjunction with App-Connect.

Premium
000.051.446.S **€93.90**



Front Mud Flaps.

Long lasting and durable: The Volkswagen Genuine mud flaps effectively protect the underbody, bumpers, side skirts and doors from excessive dirt and dangerous road chippings. Moreover, spray is reduced enormously.

Mud flaps
7C0075111 **€133.50**



Rear Mud Flaps.

Long lasting and durable: The Volkswagen Genuine mud flaps effectively protect the underbody, bumpers, side skirts and doors from excessive dirt and dangerous road chippings. Moreover, spray is reduced enormously.

Mud flaps
7C0075101 **€106.10**



Interior Roof Rack.

The interior roof rack is comprised of 2 airline aluminium profiles. Two slides with leather abrasion protection and a belt strap can be slid and locked within the profile, allowing for the safe and convenient transportation of long objects weighing up to 35 kg under the vehicle roof. Up to 35kg, with lashing slides.

€228.40



Volkswagen Roof Bars.

The Volkswagen roof bars serve as the ideal base system for all attachments. The roof bars are City Crash Plus tested to Volkswagen's strict standards and serve as the ideal basis for roof attachments such as ladder holders and high bracket kits. This means that long objects can also be securely transported on the roof. The roof bars are precisely adapted to the vehicle and can be locked to prevent theft. A torque wrench is also included.

Included: 3 units. **€359.60**



Angle Supports.

The Volkswagen Original angle supports are especially suited to safe and stable transport of long objects. For example, using the high angle, wood boards can be clamped securely on the base roof bars or the luggage rack.

Wide bracket set **€208.90**



Genuine Roof Bars x4.

Door wind deflectors for the front and side vehicle doors enable optimal aeration and ventilation of the vehicle interior, thus contributing to your driving comfort. They improve the interior climate and allow you to enjoy circulating fresh air even when it is raining or snowing. When the sun is shining, they prevent unpleasant heat build-up in the vehicle interior when the windows are opened to slightly above the lower edge of the wind deflectors.

Wind deflector door
7C0072193
ZF ZFM ZFMB **€93.00**



Sortimo Securing Kit.

The load securing set contains the basic equipment for securing loads in a vehicle. Contains two ratchet tightening lock straps and two clamping lock straps. These can be used directly at the vehicle's original lashing points or at any position on the optional airline rails integrated into the vehicle floor using the optional fittings. 4 non-slip mats for pallets and 4 flex edge protectors also included. Including Sortimo practical guide with lots of useful information on securing loads. The optional wall holder provides the ideal means of storing the load securing set in the vehicle.

Load-securing kit, with storage bag. **€123.95**

The Crafter

Date: 18/06/2019

Please note: All data and specifications are in accordance with information available at the time of going to print and are subject to change without notice. Unladen weight and payload may be influenced by the addition of factory options. Vehicles not currently in stock and customer order vehicles may take a number of weeks for delivery. Certain combinations of vehicle specifications and factory-fitted extras are not compatible and therefore all orders received are subject to confirmation. Models, factory-fitted options and paint and upholstery options are subject to availability. Please check details and availability with an authorised Volkswagen Commercial Vehicles Dealer at the time of ordering.