

The Crafter

Customer Product Guide



Commercial
Vehicles



The Crafter - Model Offer

Medium Wheel Base

Model Code	Engine / Transmission	GVW(KG)	RRP* (ex VAT)	VRT	VAT	RRP (incl. VAT)	ROTR* (Incl VAT)
SYBA2AE	2.0 TDI 102hp 6-speed manual	3000	€23,597.56	€ 200.00	€ 5,427.44	€29,225.00	€ 30,000.00
SYBA4AE	2.0 TDI 140hp 6-speed manual	3000	€25,300.81	€ 200.00	€ 5,819.19	€31,320.00	€ 32,095.00
SYBA4BE	2.0 TDI 140hp 8-speed automatic	3000	€27,260.16	€ 200.00	€ 6,269.84	€33,730.00	€ 34,505.00
SYBA8YE	2.0 TDI 177hp 6-speed manual 4M	3000	€30,430.89	€ 200.00	€ 6,999.11	€37,630.00	€ 38,405.00
SYBA8ZE	2.0 TDI 177hp 8-speed automatic 4M	3000	€32,386.18	€ 200.00	€ 7,448.82	€40,035.00	€ 40,810.00
SYBB4BE	2.0 TDI 140hp 8-speed automatic	3500	€28,853.66	€ 200.00	€ 6,636.34	€35,690.00	€ 36,465.00
SYBB4YE	2.0 TDI 140hp 6-speed manual 4M	3500	€30,317.07	€ 200.00	€ 6,972.93	€37,490.00	€ 38,265.00
SYBB8AE	2.0 TDI 177hp 6-speed manual	3500	€28,638.21	€ 200.00	€ 6,586.79	€35,425.00	€ 36,200.00
SYBB8BE	2.0 TDI 177hp 8-speed automatic	3500	€30,520.33	€ 200.00	€ 7,019.67	€37,740.00	€38,515.00
SYBB8YE	2.0 TDI 177hp 6-speed manual 4M	3500	€31,975.61	€ 200.00	€ 7,354.39	€39,530.00	€ 40,305.00
SYBB8ZE	2.0 TDI 177hp 8-speed automatic 4M	3500	€ 33,837.40	€200.00	€7,782.60	€41,820.00	€42,595.00

*ROTR = Retail On The Road

*RRP = Recommended Retail Price

*RW = Rear wheel drive

*4M = 4Motion

The Crafter - Model Offer

Long Wheel Base

Model Code	Engine / Transmission	GVW(KG)	RRP (Ex. VAT)	VRT	VAT	RRP (Incl. VAT)	ROTR* (Incl VAT)
SYCB4AE	2.0 TDI 140hp 6-speed manual	3500	€29,638.21	€200.00	€ 6,816.79	€36,665.00	€ 37,430.00
SYCB4BE	2.0 TDI 140hp 8-speed automatic	3500	€31,536.59	€200.00	€ 7,253.41	€38,990.00	€ 39,765.00
SYCB4EE	2.0 TDI 140hp 6-speed manual RW	3500	€32,004.07	€200.00	€ 7,360.93	€39,565.00	€ 40,340.00
SYCB4YE	2.0 TDI 140hp 6-speed manual 4M	3500	€33,008.13	€200.00	€ 7,591.87	€40,800.00	€ 41,575.00
SYCB8AE	2.0 TDI 177hp 6-speed manual	3500	€31,227.64	€200.00	€ 7,182.36	€38,610.00	€ 39,385.00
SYCB8BE	2.0 TDI 177hp 8-speed automatic	3500	€32,788.62	€200.00	€ 7,541.38	€40,530.00	€ 41,305.00
SYCB8EE	2.0 TDI 177hp 6-speed manual RW	3500	€33,597.56	€200.00	€ 7,727.44	€41,525.00	€ 42,300.00
SYCB8YE	2.0 TDI 177hp 6-speed manual 4M	3500	€34,597.56	€200.00	€ 7,957.44	€42,755.00	€ 43,530.00
SYCB8ZE	2.0 TDI 177hp 8-speed automatic 4M	3500	€36,479.67	€200.00	€ 8,390.33	€45,070.00	€ 45,845.00

Extra Long Wheel base

Model Code	Engine / Transmission	GVW(KG)	RRP (Ex. VAT)	VRT	VAT	RRP (Incl. VAT)	ROTR* (Incl VAT)
SYDB4AE	2.0 TDI 140hp 6-speed manual	3500	€30,597.56	€200.00	€ 7,037.44	€ 37,835.00	€ 38,610.00
SYDB8AE	2.0 TDI 177hp 6-speed manual	3500	€32,565.04	€200.00	€ 7,489.96	€40,255.00	€ 41,030.00
SYDB8BE	2.0 TDI 177hp 8-speed automatic	3500	€34,463.41	€200.00	€ 7,926.59	€42,590.00	€ 43,365.00
SYDB8YE	2.0 TDI 177hp 6-speed manual 4M	3500	€35,939.02	€200.00	€ 8,265.98	€44,405.00	€ 45,180.00
SYDB8ZE	2.0 TDI 177hp 8-speed automatic 4M	3500	€37,829.27	€200.00	€ 8,700.73	€46,730.00	€ 47,505.00
SYDD8CE	2.0 TDI 177hp 6-speed manual RW	5000	€39,402.44	€200.00	€ 9,062.56	€48,665.00	€ 49,440.00

*ROTR = Retail On The Road *RW = Rear Wheel Drive
 *RRP = Recommended Retail Price *4M = 4Motion

The Crafter - Standard Equipment

Startline

Exterior

Cab doors with power windows

Exhaust tailpipe extruding at vehicle center

Fuel tank filter secured by locking passenger door

Towing eye front and rear

Rear wing doors

Side marker lights on LWB* and ELWB* models

Left sliding door in load compartment

Side wind compensation

75-litre lockable fuel tank

Cargo Area

Interior entry step

Lashing rings for load compartments

Rear door interior release lever

Steel flooring

Door activated interior lights

Audio & Communications

Mobile phone interface

"Composition Audio" - Bluetooth

Radio FM/AM

Safety & Security

Anti-lock Braking System (ABS)

Brake assist

Electronic Brake-Force Distributions (EBD)

Electronic Differential Lock (EDL)

Electronic stabilisation programme (ESP)

Height-adjustable head restraints

Hill start assist

Remote Central Locking with interior locking

Cab Area

"Austin" cloth upholstery

Heat insulated windshield made of laminated glass

Convenient storage compartments

Interior lighting in passenger compartment

Internal steps in passenger compartment

Bulkhead without window

Rubber floor covering in cab

Drivers seat with reach and rake adjustments

Dual passenger seat with storage

Electric front windows

12v sockets x2

Two reading lights



The above specifications are for information purposes only as our products are continually updated and changes may be made to the specifications at any time. If you require any specific feature, you must consult your local dealer who is regularly updated with any change in specification. Specifications are subject to change without notice.

*LWB = Long Wheel Base

*ELWB =Extra Long Wheel base

The Crafter - Standard Equipment

Trendline - in addition to startline

Audio & Communications

App-Connect

Radio 'Composition Media' with 8" touch screen

Cab Area

Comfort driver seat 'Plus' with armrests, height adjustment, tilt adjustment and 4 way electric lumbar support

Heated windscreen

Rear park distance control

Cruise control

Multi-function steering wheel

Cargo Area

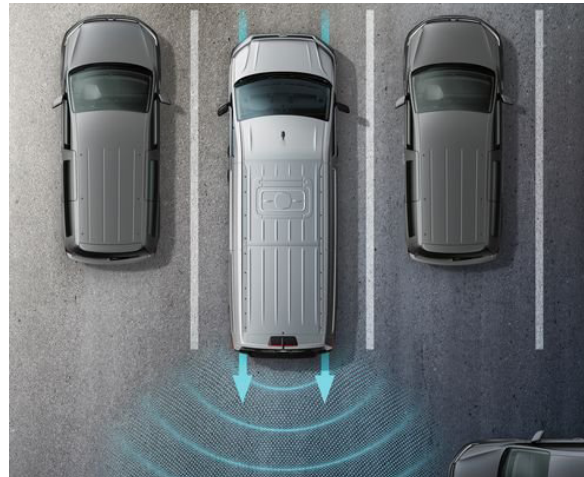
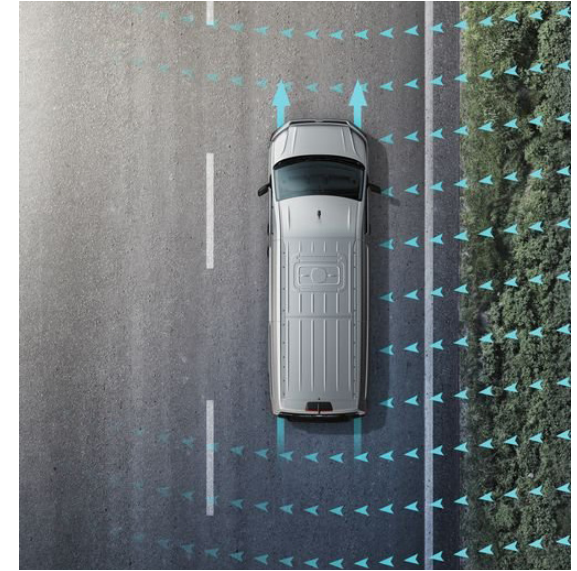
Grab handles on rear pillars

Exterior

Rear wing doors 270 degree opening

Front fog lamps with cornering function

Trendline Pack (MWB)=€2,244+VAT



The above specifications are for information purposes only as our products are continually updated and changes may be made to the specifications at any time. If you require any specific feature, you must consult your local dealer who is regularly updated with any change in specification. Specifications are subject to change without notice.

The Crafter - Optional colours

Solid Paint Finishes - No additional cost



Candy White



Cherry Red



Bright Orange



Deep Ocean

Metallic Paint Finishes = €1,511 (incl. VAT)



Reflex Silver

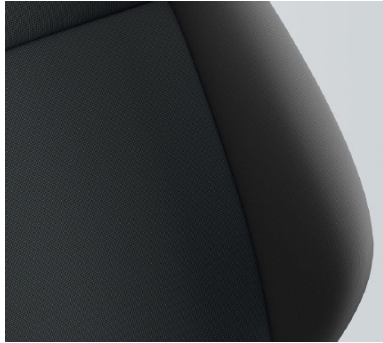


Indium Grey



Deep Black (Pearlescent Effect)
€1,598

The Crafter - Upholstery & Wheels



Austin
Titanium Black Cloth



Marathon
Moonrock Robust Cloth



Leatherette
Moonrock Synthetic Leather

1



2



3



No.	Description	Price
1	Steel wheel - Silver (Standard)	€0
2	Steel Wheel - Black	€0
3	Alloy wheel - Silver	€1,702

The Crafter - Optional Extras

Air Conditioning

Pk. Code	Pk. Code	Forced	Description	Startline	Trendline
ZK1	6AB		Air conditioning system 'Climatic'	€1,849	€1,849

Cabin

Pr. Code	Pk. Code	Forced	Description	Startline	Trendline
QE4			Storage Pack: Overhead in cab, reading light + 2 DIN slots	€168	€168
7N4		3R2/QE4	Storage compartment above cab, accessible from load compartment	€186	€186
2ZA			Multi-function steering wheel	€347	Standard
4Z3			Illuminated glove compartment with lockable lid	€30	Standard
2ZW		8T7/8T6/ ZF1/ZF6	Heated leather wrapped multi-function steering wheel	€597	€231
9JC			Smoker's package: 12V outlet with cigarette lighter, ashtray and 4 beverage holders	€35	€35

Doors

Pr. Code	Pk. Code	Forced	Description	Startline	Trendline
5V4			Hinges for rear wing doors with increased opening angle 270'	€530	Standard
OD3			Heavy duty hinges on driver door	€73	€73

The Crafter - Optional Extras

FCU

Pr. Code	Pk. Code	Forced	Description	Startline	Trendline
IS6			Forced FCU and Telematics preparation	€513	€513
IS7			CFCU MAX with Terminal block with body builder coding	€429	€429
IS8			Terminal block and function control with telematics prep and body builder	€714	€714
IS2			Terminal Block and Function Control Module 1 with bodybuilder programming	€387	€387
IS3			Terminal Block and Function Control Module 1 with Telematics Prep for Body Builders	€666	€666
IS4			Function Control Module 1	€238	€238

Driver Aid

Pr. Code	Pk. Code	Forced	Description	Startline	Trendline
7AQ		QE4/QE1	Anti-theft warning system with back-up horn, interior monitoring and tow-away protection	€583	€583
7X2			Park Distance control front and rear	€673	Standard
8A6		1D1/1D2	Trailer assist	€299	€299
9X3		1D1/1D2	Trailer assist, park assist, and park distance control with side-active side protection	€1,574	€1,574
8T6			Cruise control system	€399	Standard
8T7		6K3/ZF2/ Z34/ZZW	Adaptive cruise control ACC up to 160km/h	€1,136	€738
QR9		Z44/ZLS	Dynamic road sign display	€321	€321
KA1		Z34/Z44	Rear view camera system	€280	€280
9S5			Multi-function display 'Plus'	€66	€66
7Y9		9X0/9X2/9X3	Lane assist with blind spot monitor and rear traffic alert	€919	€919

The Crafter - Optional Extras

Driver Aid continued

Pr. Code	Pk. Code	Forced	Description	Startline	Trendline
ZAC		Z34/Z44	Driver assistance package 3: rear view camera system, Front Assist, ACC, Lane Assist, Side Assist, and Light Assist	€4,185	€4,185
	KA1		Rear view camera system	€279	€279
	Z2A		Multi-function steering wheel	€343	€343
	6K3		Forward collision warning front assist with autonomous emergency braking	TBC	TBC
	6XP		Exterior mirrors, power adjustable, heated and folding	€177	€177
	7Y9		Lane keeping system lane assist including blind spot monitoring with rear traffic alert	€919	€919
	8G1		High-beam control light assist	€149	€149
	8K3		Separate daytime running light with automatic headlight control, leaving and coming home feature	TBC	TBC
	8N6		Windshield wiper intermittent control with light and rain sensor	TBC	TBC
	8T7		Adaptive cruise control ACC up to 160Km/h	€1,136	€738
	9S5		Multi-function display "plus"	€66	€66
	9X3		Trailer maneuvering system trailer assist, park assist, and park distance control with sensor-based side protection	€1,575	€1,575

The Crafter - Optional Extras

Lights

Pr. Code	Pk. Code	Forced	Description	Startline	Trendline
8IT			LED Headlamps with separate LED daytime running lights	€1,170	€1,170
8WH			Front fog lights with cornering function	€278	€278
8G1		ZA3/ZLS	High beam assist	€149	€149
9CW			Load compartment lighting, 4 LED spot lights	€196	€196
8F1			Side marker lamps	€108	€108

Load Compartment

Pr. Code	Pk. Code	Forced	Description	Startline	Trendline
YEA		S5X	230-V exterior outlet, 230-V interior outlet in load compartment	€691	€691
QT4		8F1	Step in rear, extending over complete width (Please note, cannot retro fit tow-bar with this option, must order QT9 if tow bar is required)	€155	€155
QT9		8F1/1D1/ 1D2	Step in rear, extending over half – width	€123	€123
7C3		5DB/5DU	Grab handles on rear pillars	€30	Standard

Media

Pr. Code	Pk. Code	Forced	Description	Startline	Trendline
Z34			Composition 'Media' with 8" touch screen	€620	Standard
Z44			Navigation system 'Discover Media' with 8" touch screen	€1,270	€1,270

The Crafter - Optional Extras

Accessories

Pr. Code	Pk. Code	Forced	Description	Startline	Trendline
1T9			First aid kit with warning triangle and safety vest	€46	€46
1D8			Trailer hitch prep, wiring, electronic control unit (Not available with full step QT4)	€600	€600
6N2			Mud flaps in front and rear	€108	€108
4GX			Heat - insulating windshield made of laminated glass, heated	€286	Standard

Battery

Pr. Code	Pk. Code	Forced	Description	Startline	Trendline
8FK			Second battery with cut-off relay and battery monitoring 95Ah 450A	€450	€450
8FG			Second battery with high-current cut-off relay	€567	€567
8FH			Second battery with high-voltage cut-off relay and monitoring function	€626	€626

Partition

Pr. Code	Pk. Code	Forced	Description	Startline	Trendline
3CG			Partition - Full height with window	€83	€83

Roof

Pr. Code	Pk. Code	Forced	Description	Startline	Trendline
3R2		SYB***	High Roof	€1,281	€1,281

The Crafter - Optional Extras

Safety

Pr. Code	Pk. Code	Forced	Description	Startline	Trendline
4UF		Updrad seat	Passenger airbag de-activation	€238	€238
4X3		4UF	Side and curtain airbags for driver and front passenger	€1,102	€1,102

Seats

Pr. Code	Pk. Code	Forced	Description	Startline	Trendline
3SP			Comfort seat 'Plus' on the right	€615	€390
N0C		AL Interior	Seat trim covers in leatherette 'Mesh'	€65	€65
N1C		AL Interior	Robust seat covers in fabric 'Marathon'	€162	€162
N2C			Seat trim covers in fabric 'Memphis'	TBC	TBC
4A3		ZK1/PK3	Seat heater, left and right, separately controllable	€311	€311

Suspension

Pr. Code	Pk. Code	Forced	Description	Startline	Trendline
2MG			Heavy duty suspension with shocks and stabilizers	€328	€328

The Crafter - Technical Data

Model	Engine (Kw)	Engine (cc)	No. Doors	No. Seats	Co2 (g)	Gross Vehicle Weight (Kg)	Payload (Kg)	Unladen Weight (Kg)	Trailer mass braked/unbraked (Kg)	Axel weight front (Kg)	Axel weight rear (Kg)
Crafter 30 Medium Wheel Base 102HP M6F	75	1968	5	3	TBC	3000	914	2011	2500/750	1800	2100
Crafter 30 Medium Wheel Base 140HP M6F	103	1968	5	3	TBC	3000	905	2020	3000/750	1800	2100
Crafter 30 Medium Wheel Base 140HP A8F	103	1968	5	3	TBC	3000	873	2052	3000/750	1800	2100
Crafter 30 Medium Wheel Base 177HP M6A	130	1968	5	3	TBC	3000	779	2146	3000/750	1800	2100
Crafter 30 Medium Wheel Base 177HP A8A	130	1968	5	3	TBC	3000	747	2178	3000/750	1800	2100
Crafter 35 Medium Wheel Base 140HP M6R SW	103	1968	5	3	TBC	3500	1281	2175	3000/750	1800	2100
Crafter 35 Medium Wheel Base 177HP M6R SW HR	130	1968	5	3	TBC	3500	1272	2184	3000/750	1800	2100
Crafter 35 Medium Wheel Base 140HP M6F	103	1968	5	3	TBC	3500	1405	2020	3000/750	1800	2100
Crafter 35 Medium Wheel Base 140HP A8F	103	1968	5	3	TBC	3500	1373	2052	3000/750	1800	2100
Crafter 35 Medium Wheel Base 140HP M6A	103	1968	5	3	TBC	3500	1278	2147	3000/750	1800	2100
Crafter 35 Medium Wheel Base 177HP M6F	130	1968	5	3	TBC	3500	1396	2029	3000/750	1800	2100
Crafter 35 Medium Wheel Base 177HP A8F	130	1968	5	3	TBC	3500	1364	2061	3000/750	1800	2100
Crafter 35 Medium Wheel Base 177HP M6A	130	1968	5	3	TBC	3500	1269	2156	3500/750	1800	2100
Crafter 35 Medium Wheel Base 177HP A8A	130	1968	5	3	TBC	3500	1237	2188	3000/750	1800	2100
Crafter 35 Long Wheel Base 140HP M6F	103	1968	5	3	TBC	3500	1269	2156	3000/750	1800	2100
Crafter 35 Long Wheel Base 140HP A8F	103	1968	5	3	TBC	3500	1237	2188	3000/750	1800	2100
Crafter 35 Long Wheel Base 140HP M6R SW	103	1968	5	3	TBC	3500	1167	2258	3500/750	1800	2100
Crafter 35 Long Wheel Base 140HP M6A	103	1968	5	3	TBC	3500	1142	2283	3000/750	1800	2100
Crafter 35 Long Wheel Base 177HP M6F	130	1968	5	3	TBC	3500	1259	2166	3000/750	1800	2100
Crafter 35 Long Wheel Base 177HP A8F	130	1968	5	3	TBC	3500	1227	2198	3000/750	1800	2100
Crafter 35 Long Wheel Base 177HP M6R SW	130	1968	5	3	TBC	3500	1158	2267	3000/750	1800	2100
Crafter 35 Long Wheel Base 177HP M6A	130	1968	5	3	TBC	3500	1133	2292	3000/750	1800	2100
Crafter 35 Long Wheel Base 177HP A8A	130	1968	5	3	TBC	3500	1101	2324	3000/750	1800	2100

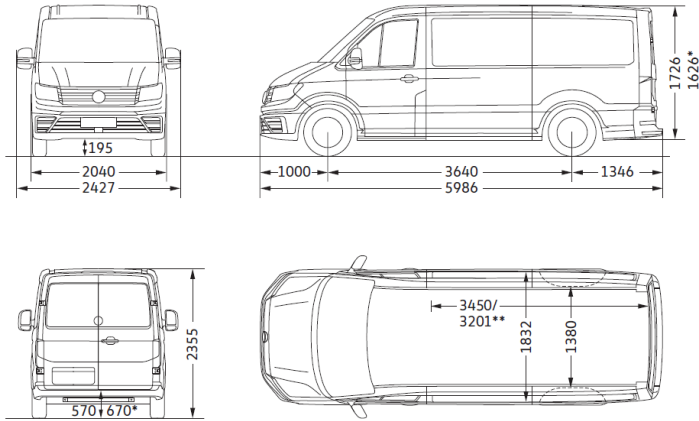
The Crafter - Technical Data

Model	Engine (Kw)	Engine (cc)	No. Doors	No. Seats	Co2 (g)	Gross Vehicle Weight (Kg)	Payload (Kg)	Unladen Weight (Kg)	Trailer mass broken/unbroken (Kg)	Axel weight front (Kg)	Axel weight rear (Kg)
Crafter 50 Long Wheel Base 177HP M6R DW	130	1968	5	3	TBC	5000	-	2494	3500/750	TBC	TBC
Crafter 50 Long Wheel Base 177HP A8R DW	130	1968	5	3	TBC	5000	-	2535	3500/750	TBC	TBC
Crafter 50 Medium Wheel Base 177HP M6R DW HR	130	1968	5	3	TBC	5000	-	2376	3500/750	TBC	TBC
Crafter 50 Medium Wheel Base 177HP A8R DW HR	130	1968	5	3	TBC	5000	-	2417	3500/750	TBC	TBC
Crafter 50 Extra Long Wheel Base 177HP M6R	130	1968	5	3	TBC	5000	-	2178	3000/750	1800	2100

Model	Engine (Kw)	Engine (cc)	No. Doors	No. Seats	Co2 (g)	Gross Vehicle Weight (Kg)	Payload (Kg)	Unladen Weight (Kg)	Trailer mass broken/unbroken (Kg)	Axel weight front (Kg)	Axel weight rear (Kg)
Crafter 35 Extra Long Wheel Base 140HP M6F	103	1968	5	3	TBC	3500	1261	2020	3000/750	1800	2100
Crafter 35 Extra Long Wheel Base 177HP M6F	130	1968	5	3	TBC	3500	1189	2029	3000/750	1800	2100
Crafter 35 Extra Long Wheel Base 177HP A8F	130	1968	5	3	TBC	3500	1157	2061	3000/750	1800	2100
Crafter 35 Extra Long Wheel Base 177HP M6A	130	1968	5	3	TBC	3500	1062	2146	3000/750	1800	2100
Crafter 35 Extra Long Wheel Base 177HP A8A	130	1968	5	3	TBC	3500	1030	2178	3000/750	1800	2100

The Crafter - Technical Data

Medium Wheel Base Normal Roof

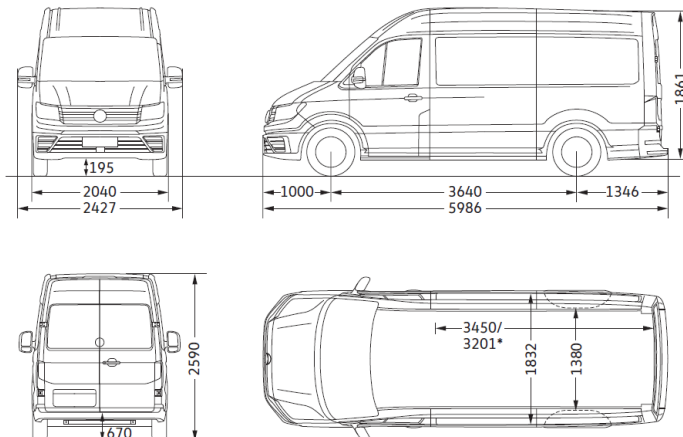


*This value applies for 4MOTION all-wheel drive.

Descriptions	Dimensions
Load compartment, volume (m ³) with front wheel drive/4Motion	9.9/9.3
Lateral sliding door, width x height (mm)	
- with front wheel drive	1,311 x 1,587
- with 4Motion	1,311 x 1,487
Rear wing doors, width x height (mm)	
- with front wheel drive	1,552 x 1,605
- with 4Motion	1,552 x 1,505
Turning circle (m)	13.6



Medium Wheel Base High Roof

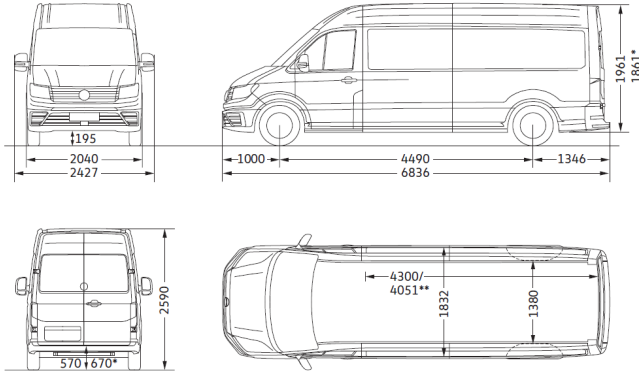


Descriptions	Dimensions
Load compartment, volume (m ³)	10.7
Lateral sliding door, width x height (mm)	1,311 x 1,722
Rear wing doors, width x height (mm)	1,552 x 1,740
Turning circle (m)	13.6



The Crafter - Technical Data

Long Wheel Base High Roof



*This value applies for 4MOTION all-wheel drive and rear-wheel drive.
 **Load compartment length, max. (at floor level)/load compartment length, min.

Descriptions	Dimensions
--------------	------------

Load compartment, volume (m ³) with front wheel drive/4Motion/ rear wheel drive	14.4/13.6/13.6
---	----------------

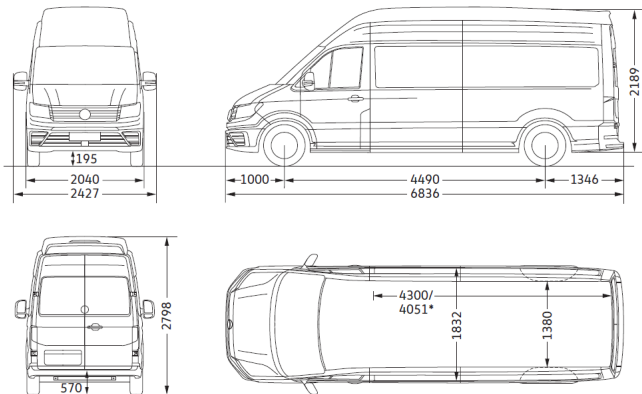
Lateral sliding door, width x height (mm)	
- with front wheel drive	1,311 x 1,822
- with 4Motion	1,311 x 1,722

Rear wing doors, width x height (mm)	
- with front wheel drive	1,552 x 1,840
- with 4Motion	1,552 x 1,740

Turning circle (m)	16.2
--------------------	------



Long Wheel Base Super High Roof



*Load compartment length, max. (at floor level)/load compartment length, min.

Descriptions	Dimensions
--------------	------------

Load compartment, volume (m ³)	16.1
--	------

Lateral sliding door, width x height (mm)	1,311 x 1,822
---	---------------

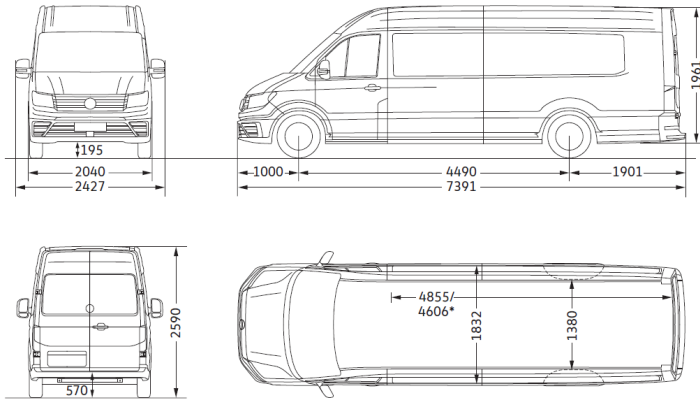
Rear wing doors, width x height (mm)	1,552 x 1,840
--------------------------------------	---------------

Turning circle (m)	16.2
--------------------	------



The Crafter - Technical Data

Extra Long Wheel Base High Roof

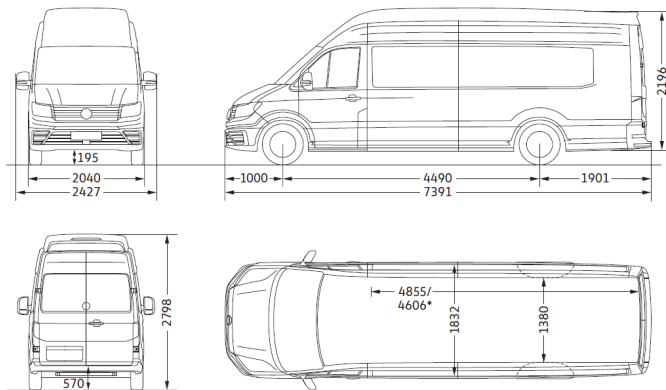


*Load compartment length, max. (at floor level)/load compartment length, min.

Descriptions	Dimensions
Load compartment, volume (m ³)	16.4
Lateral sliding door, width x height (mm)	1,311 x 1,822
Rear wing doors, width x height (mm)	1,552 x 1,840
Turning circle (m)	16.2



Extra Long Wheel Base Super High Roof



*Load compartment length, max. (at floor level)/load compartment length, min.

Descriptions	Dimensions
Load compartment, volume (m ³)	18.4
Lateral sliding door, width x height (mm)	1,311 x 1,822
Rear wing doors, width x height (mm)	1,552 x 1,840
Turning circle (m)	16.2



Volkswagen Crafter Accessories



Top 10 accessories to keep your
Transporter 100% Volkswagen.



Floor Mats.

The Volkswagen Genuine all-weather mats protect your vehicle interior from dirt and moisture. They are designed to fit perfectly, are easy to clean and have a non-slip underside. One particular visual highlight is the modern design of the floor mats. It helps them blend in seamlessly with the interior of the Crafter. The floor mats are also 100% recyclable, very sturdy and durable. The material allows the Genuine all-weather floor mats to be considerably lighter than standard floor mats.

Rubber mats
7C2061502A 82V **€58.00**



App-Connect.

App Connect – Innovative technologies that allow you to bring smartphone apps onto your infotainment system's touchscreen: the new CarPlay™ function from Apple, and the Android Auto™ function from Google. APPLE CARPLAY™ from Apple, you can manage selected apps from your iPhone while on the move. The apps can be operated with all the ease that you'll have come to expect from an iPhone. Maps, phone, news, music – everything just at the touch of a button. And if you choose, you can even operate the system by voice control. As well as the apps from Apple™, CarPlay™ supports other apps such as Spotify, Stitcher, & Skype . ANDROID AUTO™ from Google enables you to operate suitable apps safely from your smartphone using the Android operating system while driving. With Google Voice, you operate everything by voice input, and you can listen to songs using Google Play Music, Pandora or Spotify, for example. Many other apps are also already supported. As well as the apps from Google™, Android Auto™ supports other apps such as Joyride, Podcast Player, Spotify, Stitcher, Umano, and Pocket Cast.

Convenience and safety
7H0054830 **€295.00**



Premium USB Phone Charging Cable.

Available for all phones and gives good connectivity for use charging or when using in conjunction with App-Connect.

Premium
000.051.446.S **€93.90**



Front Mud Flaps.

Long lasting and durable: The Volkswagen Genuine mud flaps effectively protect the underbody, bumpers, side skirts and doors from excessive dirt and dangerous road chippings. Moreover, spray is reduced enormously.

Mud flaps
7C0075111 **€133.50**



Rear Mud Flaps.

Long lasting and durable: The Volkswagen Genuine mud flaps effectively protect the underbody, bumpers, side skirts and doors from excessive dirt and dangerous road chippings. Moreover, spray is reduced enormously.

Mud flaps
7C0075101 **€106.10**



Interior Roof Rack.

The interior roof rack is comprised of 2 airline aluminium profiles. Two slides with leather abrasion protection and a belt strap can be slid and locked within the profile, allowing for the safe and convenient transportation of long objects weighing up to 35 kg under the vehicle roof. Up to 35kg, with lashing slides.

€228.40



Volkswagen Roof Bars.

The Volkswagen roof bars serve as the ideal base system for all attachments. The roof bars are City Crash Plus tested to Volkswagen's strict standards and serve as the ideal basis for roof attachments such as ladder holders and high bracket kits. This means that long objects can also be securely transported on the roof. The roof bars are precisely adapted to the vehicle and can be locked to prevent theft. A torque wrench is also included.

Included: 3 units. **€359.60**



Angle Supports.

The Volkswagen Original angle supports are especially suited to safe and stable transport of long objects. For example, using the high angle, wood boards can be clamped securely on the base roof bars or the luggage rack.

Wide bracket set **€208.90**



Genuine Roof Bars x4.

Door wind deflectors for the front and side vehicle doors enable optimal aeration and ventilation of the vehicle interior, thus contributing to your driving comfort. They improve the interior climate and allow you to enjoy circulating fresh air even when it is raining or snowing. When the sun is shining, they prevent unpleasant heat build-up in the vehicle interior when the windows are opened to slightly above the lower edge of the wind deflectors.

Wind deflector door
7C0072193
ZF ZFM ZFMB **€93.00**



Sortimo Securing Kit.

The load securing set contains the basic equipment for securing loads in a vehicle. Contains two ratchet tightening lock straps and two clamping lock straps. These can be used directly at the vehicle's original lashing points or at any position on the optional airline rails integrated into the vehicle floor using the optional fittings. 4 non-slip mats for pallets and 4 flex edge protectors also included. Including Sortimo practical guide with lots of useful information on securing loads. The optional wall holder provides the ideal means of storing the load securing set in the vehicle.

Load-securing kit, with storage bag. **€123.95**

The Crafter

Date: 30/10/2019

Please note: All data and specifications are in accordance with information available at the time of going to print and are subject to change without notice. Unladen weight and payload may be influenced by the addition of factory options. Vehicles not currently in stock and customer order vehicles may take a number of weeks for delivery. Certain combinations of vehicle specifications and factory-fitted extras are not compatible and therefore all orders received are subject to confirmation. Models, factory-fitted options and paint and upholstery options are subject to availability. Please check details and availability with an authorised Volkswagen Commercial Vehicles Dealer at the time of ordering.