

The Transporter

Customer Product Guide



Commercial
Vehicles



The Transporter - Model Offer

Short Wheel Base

Trimline	Model Code	Engine / Transmission	GVW(KG)	VAT	VRT	RRP* (incl VAT)	ROTR* (Ex.VAT)	ROTR* (Incl VAT)
Startline	SGA1D2E	2.0 TDI 84hp 5-speed manual	2600	€ 4,803.82	€ 200.00	€ 25,890.00	€ 21,716.26	€ 26,665.00
	SGA1E2E	2.0 TDI 102hp 5-speed manual	2800	€ 5,212.40	€ 200.00	€ 28,075.00	€ 23,492.68	€ 28,850.00
	SGA1F1E	2.0 TDI 150hp 6-speed manual	3000	€ 5,881.83	€ 200.00	€ 31,655.00	€ 26,403.25	€ 32,430.00
	SGA1F5E	2.0 TDI 150hp 6-speed manual 4M	3000	€ 6,474.59	€ 200.00	€ 34,825.00	€ 28,980.49	€ 35,600.00
	SGA1F7E	2.0 TDI 150hp 7-speed DSG	3000	€ 6,314.72	€ 200.00	€ 33,970.00	€ 28,285.37	€ 34,745.00

Long Wheel Base

Trimline	Model Code	Engine / Transmission	GVW(KG)	VAT	VRT	RRP* (incl VAT)	ROTR* (Ex.VAT)	ROTR* (Incl VAT)
Startline	SGH1E2E	2.0 TDI 102hp 5-speed manual	2800	€ 5,390.04	€ 200.00	€ 29,025.00	€ 24,265.04	€ 29,800.00
	SGH1F1E	2.0 TDI 150hp 6-speed manual	3000	€ 6,062.28	€ 200.00	€ 32,620.00	€ 27,187.80	€ 33,395.00
	SGH1F5E	2.0 TDI 150hp 6-speed manual 4M	3000	€ 6,647.56	€ 200.00	€ 35,750.00	€ 29,732.52	€ 36,525.00
	SGH1F7E	2.0 TDI 150hp 7-speed DSG	3000	€ 6,489.55	€ 200.00	€ 34,905.00	€ 29,045.53	€ 35,680.00

*ROTR = Retail On The Road

*RRP = Recommended Retail Price

*DSG = Direct Shift Gearbox

*4M = 4Motion

The Transporter - Model Offer

Short Wheel Base

Trimline	Model Code	Engine / Transmission	GVW(KG)	VAT	VRT	RRP* (incl VAT)	ROTR* (Ex.VAT)	ROTR* (Incl VAT)
Trendline	SGA1E2ET	2.0 TDI 102hp 5-speed manual	2800	€ 5,479.80	€ 200.00	€ 29,505.00	€ 24,655.28	€ 30,280.00
	SGA1F1ET	2.0 TDI 150hp 6-speed manual	3000	€ 6,150.16	€ 200.00	€ 33,090.00	€ 27,569.92	€ 33,865.00
	SGA1F5ET	2.0 TDI 150hp 6-speed manual 4M	3000	€ 6,742.93	€ 200.00	€ 36,260.00	€ 30,147.15	€ 37,035.00
	SGA1F7ET	2.0 TDI 150hp 7-speed DSG	3000	€ 6,581.18	€ 200.00	€ 35,395.00	€ 29,443.90	€ 36,170.00

Long Wheel Base

Trimline	Model Code	Engine / Transmission	GVW(KG)	VAT	VRT	RRP* (incl VAT)	ROTR* (Ex.VAT)	ROTR* (Incl VAT)
Trendline	SGH1E2ET	2.0 TDI 102hp 5-speed manual	2800	€ 5,653.70	€ 200.00	€ 30,435.00	€ 25,411.38	€ 31,210.00
	SGH1F1ET	2.0 TDI 150hp 6-speed manual	3000	€ 6,327.80	€ 200.00	€ 34,040.00	€ 28,342.28	€ 34,815.00
	SGH1F5ET	2.0 TDI 150hp 6-speed manual 4M	3000	€ 6,914.96	€ 200.00	€ 37,180.00	€ 30,895.12	€ 37,955.00
	SGH1F7ET	2.0 TDI 150hp 7-speed DSG	3000	€ 6,756.02	€ 200.00	€ 36,330.00	€ 30,204.07	€ 37,105.00

*ROTR = Retail On The Road
 *RRP = Recommended Retail Price
 *DSG = Direct Shift Gearbox
 *4M = 4Motion

The Transporter - Model Offer

Short Wheel Base

Trimline	Model Code	Engine / Transmission	GVW(KG)	VAT	VRT	RRP* (incl VAT)	ROTR* (Ex.VAT)	ROTR* (Incl VAT)
Highline	SGA1E2EH	2.0 TDI 102hp 5-speed manual	2800	€ 5,838.82	€ 200.00	€ 31,425.00	€ 26,216.26	€ 32,200.00
	SGA1F1EH	2.0 TDI 150hp 6-speed manual	3000	€ 6,509.19	€ 200.00	€ 35,010.00	€ 29,130.89	€ 35,785.00
	SGA1F5EH	2.0 TDI 150hp 6-speed manual 4M	3000	€ 7,101.02	€ 200.00	€ 38,175.00	€ 31,704.07	€ 38,950.00
	SGA1F7EH	2.0 TDI 150hp 7-speed DSG	3000	€ 6,941.14	€ 200.00	€ 37,320.00	€ 31,008.94	€ 38,095.00
	SGA1F9EH	2.0 TDI 150hp 7-speed DSG 4M	3000	€ 7,433.86	€ 200.00	€ 39,955.00	€ 33,151.22	€ 40,730.00

Long Wheel Base

Trimline	Model Code	Engine / Transmission	GVW(KG)	VAT	VRT	RRP* (incl VAT)	ROTR* (Ex.VAT)	ROTR* (Incl VAT)
Highline	SGH1E2EH	2.0 TDI 102hp 5-speed manual	2800	€ 6,017.40	€ 200.00	€ 32,380.00	€ 26,992.68	€ 33,155.00
	SGH1F1EH	2.0 TDI 150hp 6-speed manual	3000	€ 6,681.22	€ 200.00	€ 35,930.00	€ 29,878.86	€ 36,705.00
	SGH1F5EH	2.0 TDI 150hp 6-speed manual 4M	3000	€ 7,266.50	€ 200.00	€ 39,060.00	€ 32,423.58	€ 39,835.00
	SGH1F7EH	2.0 TDI 150hp 7-speed DSG	3000	€ 7,115.98	€ 200.00	€ 38,255.00	€ 31,769.11	€ 39,030.00
	SGH1F9EH	2.0 TDI 150hp 7-speed DSG 4M	3000	€ 8,083.66	€ 200.00	€ 43,430.00	€ 35,976.42	€ 44,205.00
	SGH1H1FH	2.0 TDI 204hp 6-speed manual	3200	€ 7,567.56	€ 200.00	€ 40,670.00	€ 33,732.52	€ 41,445.00
	SGH1H5FH	2.0 TDI 204hp 6-speed manual 4M	3200	€ 8,158.46	€ 200.00	€ 43,830.00	€ 36,301.63	€ 44,605.00
	SGH1H9FH	2.0 TDI 204hp 7-speed DSG 4M	3200	€ 8,467.93	€ 200.00	€ 45,485.00	€ 37,647.15	€ 46,260.00

*ROTR = Retail On The Road
 *RRP = Recommended Retail Price
 *DSG = Direct Shift Gearbox
 *4M = 4Motion

The Transporter - Standard Equipment

Startline

Exterior

Radiator grill, embossed, with chrome strip

Sliding door, left in load area

Black door mirrors and handles

Black front and rear bumpers

Solid rear wing doors with 180° door opening

70-litre lockable fuel tank

Steel wheels (16")

Cargo Area

Full partition

Interior entry step

Interior roof trim

Load-lashing rings

Steel flooring

Door activated interior light

Half-height load side lining hardboard

Two-door activated interior lights

Audio & Communications

Bluetooth phone connectivity with trip computer and multifunction display

"Composition Colour" radio system with 5" touch-screen, MP3 compatible CD Drive, SD card slot, AUX-IN socket and four speakers

USB input

Cab Area

"Austin" cloth upholstery

Door mirrors, electrically heated and adjustable

Drivers seat with height, reach and rake adjustments

Electric front windows

Lockable glove compartment

Rubber floor covering

12v socket

"Climatic" air conditioning

Dual passenger seat

Safety & Security

Anti-lock Braking system (ABS)

Brake assist

Daytime running lights

Electronic Brake-Force Distributions (EBD)

Electronic Differential Lock (EDL)

Driver alert system

Electronic stabilisation programme (ESP)

Height-adjustable head restraints

Height and rake adjustable steering column

Hill hold control

Remote central locking with interior locking

Alarm/Deadlock System

Seatbelt warning when not engaged

Start/Stop system with regenerative braking



The above specifications are for information purposes only as our products are continually updated and changes may be made to the specifications at any time. If you require any specific feature, you must consult your local dealer who is regularly updated with any change in specification. Specifications are subject to change without notice.

The Transporter - Standard Equipment

Trendline - in addition to startline

Audio & Communications

Multi-function display "Plus"

Cab Area

Cruise control

Comfort pack

Leather steering wheel

"Simora" cloth upholstery

Armrest for drivers seat

Exterior

Body-coloured bumpers, mirrors and door handles

Rear park distance control

Wheels & Tyres

New design full size wheel trims (N/A on 3,200kg or 204hp models)



Highline - in addition to Trendline

Audio & Communications

"Discover Media" navigation system

Car-Net Guide & Inform

Cab Area

Automatically dimming rear view mirror with rain sensor

Automatic driving light control

Coming home and leaving home function

Heated windsreen

Automatic headlights

Leather multi-function steering wheel and gear knob

Safety & Security

Lockable wheel bolts

Wheels & Tyres

16" 'Clayton' alloy wheels

17" 'Devonport' alloy wheels (3,200kg and/or 204hp engine)

Exterior

Front fog lights with cornering function

Front and rear park distance control



The above specifications are for information purposes only as our products are continually updated and changes may be made to the specifications at any time. If you require any specific feature, you must consult your local dealer who is regularly updated with any change in specification. Specifications are subject to change without notice.

The Transporter - Optional colours

Solid Paint Finishes - No additional cost



Candy White



Pure Grey*



Cherry Red



Grape Yellow*



Deep Ocean*

Metallic Paint Finishes - €928



Reflex Silver



Indium Grey



Oryx white



Deep Black



Mojave Beige



Starlight Blue



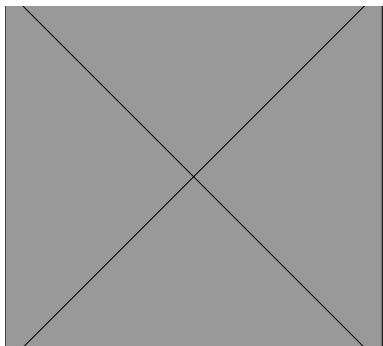
Bamboo Garden



Acapulco blue

**Not Available on Trendline & Highline*

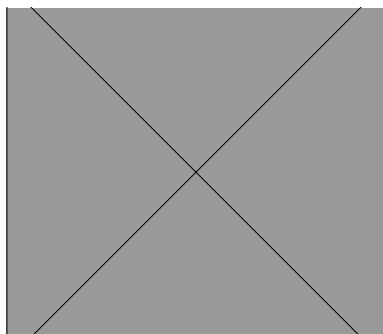
The Transporter - Upholstery & Wheels



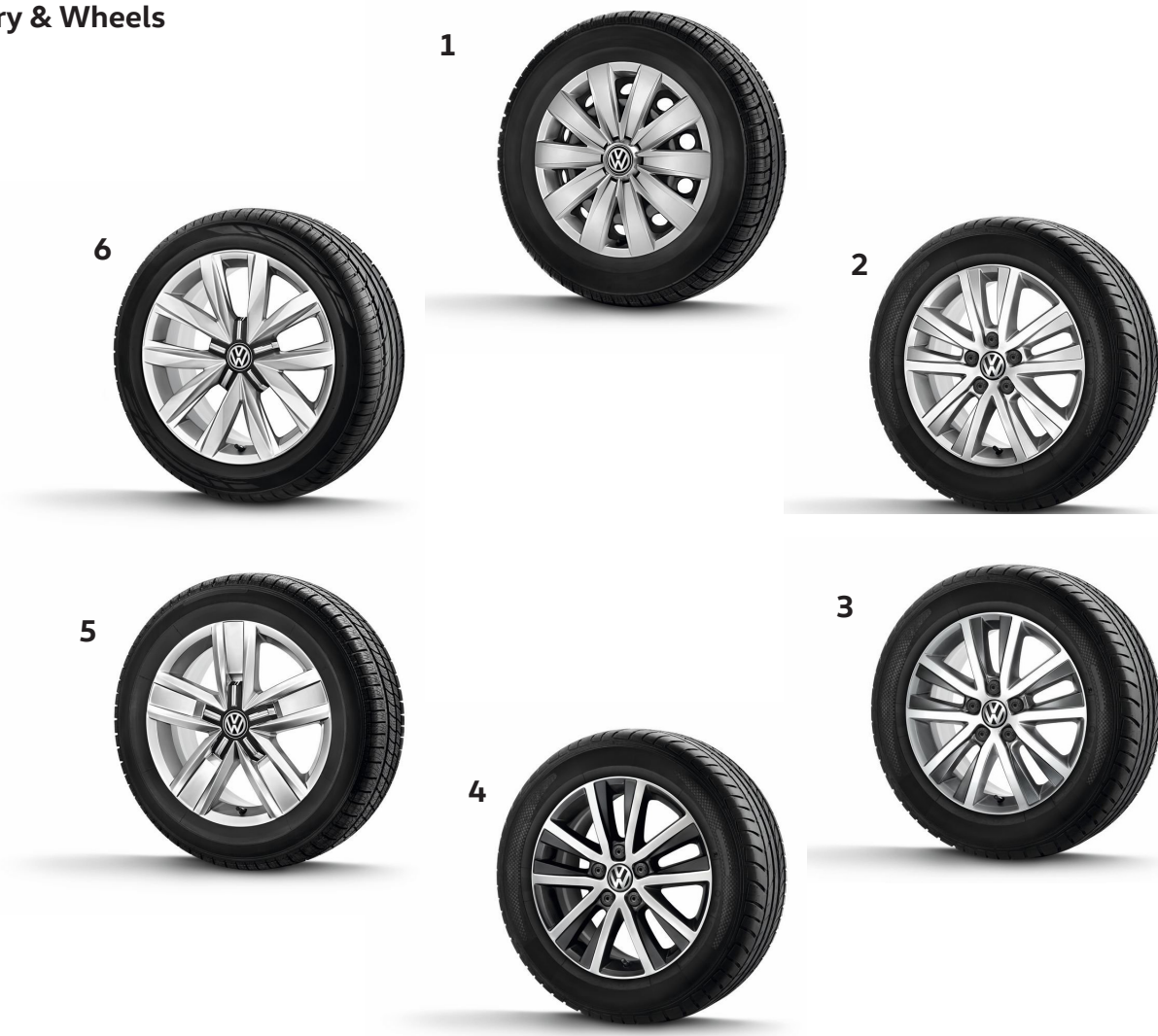
Austin
Titanium Black Cloth



Simora
Titanium Black Cloth



Leatherette
Moonrock Synthetic Leather



No.	Pr.No	Description	Price
1	1NL	Full size wheel trims Standard on Trendline	€0
2	Z3E	16" Clayton - Standard on highline	€702
3	Z3X	17" Cascavel	€2,797

No.	Pr.No	Description	Price
4	Z3Z	17" Cascavel Black Inlay	€2,797
5	Z3F	17" Devonport	€1,875
6	Z3I	18" Springfield	€2,126

The Transporter - Optional Extra

Cabin

Pk. Code	Pk. Code	Forced	Description	Startline	Trendline	Highline
5AD			Carpet floor covering in cab	€110	€110	€110
ZL4			Leather steering wheel	€180	Standard	N/A
	2PH		Leather wrapped steering wheel	-	-	-
	3HB		Leather parts: Gearshift knob in leather	-	-	-
ZE7		ZEN	Leather multifunctional steering wheel	€421	€240	Standard
EU1			12v socket in dash tray	€47	Standard	Standard

Doors

Pr. Code	Pk. Code	Forced	Description	Startline	Trendline	Highline
5V4		ZH1/ZH2	250° rear doors	€514	€514	€514
ZH1			Double rear doors with windows	€41	€41	€41
	3RE		Rear wing doors with window apertures	-	-	-
	4E4		Rear wing door latch with unlocking function from inside	-	-	-
	4HH		Heated rear window	-	-	-
	4L2		Dimming Breakaway interior rearview	-	-	-
ZH2			Solid double rear doors	Standard	Standard	Standard
ZH6		4E0/4E8	Solid tailgate	€0	€0	€0
	3RB		Tailgate without window aperture	-	-	-
	4HA		Without rear window	-	-	-
	4L3		Without breakaway interior rearview mirror	-	-	-
ZH7			Tailgate with window	€43	€43	€43
	3RC		Tailgate with window aperture	-	-	-
	4HH		Heated rear window	-	-	-
	4L2		Dimming Breakaway interior rearview	-	-	-

The Transporter - Optional Extra

Driver Aid

Pr. Code	Pk. Code	Forced	Description	Startline	Trendline	Highline
7K1			Tyre pressure monitoring system	€74	€74	€74
7X1			Rear park distance control	€390	Standard	N/A
7X2			Front and rear park distance control	€671	€295	Standard
8G1		P4A/ZEN	High beam control 'Light Assist'	€161	€161	€161
7X7		ZH6/ZH7	Rear park distance control with rear assist	€691	€302	N/A
7X8		ZH6/ZH7	Front and rear park distance control with rear assist	€984	€596	€302
8T2			Cruise control	€338	Standard	Standard
PAD		ZE7/ZEN	Adaptive cruise control (up to 160km/h) – including front assist	€770	€433	€433
ZEN			Driver alert system with multifunctional display "Plus"	€154	Standard	Standard
	EM1		Driver alert system	-	-	-
	9Q5		Multi function display "plus"	-	-	-

Load Compartment

Pr. Code	Pk. Code	Forced	Description	Startline	Trendline	Highline
5R2			Right sliding door in load compartment	€850	€850	€850
5DB			Hardboard trim in load compartment			
			Short Wheel Base	€298	€298	€298
			Long Wheel Base	€355	€355	€355
ZU2			Rubber floor in load compartment			
			Short Wheel Base	€241	€241	€241
			Long Wheel Base	€284	€284	€284
	5BC		Rubber floor covering on passenger/load compartment, with loading edge protection in rear	-	-	-
	9N1		Step illumination in passenger/load compartment	-	-	-
ZZ0			Plywood in load compartment with side tie-down rails	€655	€655	€655
	5DU		Side trim panle in load compartment	-	-	-
	6L6		C-rails on sideboard	-	-	-

The Transporter - Optional Extra

Lights

Pr. Code	Pk. Code	Forced	Description	Startline	Trendline	Highline
8WH			Cornering front fog lamps	€380	€380	Standard
8X1			Headlamp washer system with heated washer nozzles	€330	€330	€330
8X4			Heated washer nozzles	€63	€63	€63
P4A			'Lights & Vision'	€273	€273	Standard
PXE		ZH6/ZH7 & 8X1	LED headlamps and LED rear lamps	€1,946	€1,946	€1,946
	8IT		LED headlamps with LED separate daytime running light	-	-	-
	8Q3		Automatic headlamp range control	-	-	-
	8SK		Red LED rear combination lamps	-	-	-
PXF		ZA1/ZA4/ZA8/ZA9/8X1	LED headlamps	€1,753	€1,753	€1,753
	8IT		LED headlamps with LED separate daytime running light	-	-	-
	8Q3		Automatic headlight range control	-	-	-
	8SA		Standard rear combination lamps	-	-	-
9CB			LED load compartment lighting	€162	€162	€162

The Transporter - Optional Extra

Media

Pr. Code	Pk. Code	Forced	Description	Startline	Trendline	Highline
Z16			'Composition Media' radio system	€177	€177	N/A
	ELO		Without online service	-	-	-
	17A		Radio "Compostion Media" with 6.33" touch screen	-	-	-
	UI4		USB interface and AUX-IN system	-	-	-
	7QO		Without navigation system			
	8RE		4 speakers: 2 tweeters, 2 woofers	-	-	-
Z17		Z99/7RE	'Discover Media' navigation system	€922	€922	Standard
	UI4		USB interface and AUX-IN system	-	-	-
	7UP		Navigation system "discover Media" with 6.33" touch screen and WLAN interface	-	-	-
	8AY		Radio navigation system	-	-	-
	8RE		4 speakers: 2 tweeters, 2 woofers	-	-	-
9WT		Z16/Z17	App-Connect	€184	€184	€184
9WX		Z17/UI2/ UI4	Volkswagen Media Control & App-Connect	€259	€259	€259

Partition

Pr. Code	Pk. Code	Forced	Description	Startline	Trendline	Highline
3CA			Without bulkhead	€0	€0	€0
3JB		3CA/3CD	Electric sunroof in cab	€952	€952	€952
3CD			Half-height bulkhead	€138	€138	€138
ZZ3			Bulkhead with fixed window	€55	€55	€55
	3CG		High partition with window	-	-	-
	6B7		Lashing rings for load restraint system	-	-	-
ZZ4			Bulkhead with sliding window	€131	€131	€131
	3CH		High partition with sliding window	-	-	-
	6B7		Lashing rings for load restraint system	-	-	-

The Transporter - Optional Extra

Roof

Pr. Code	Pk. Code	Forced	Description	Startline	Trendline	Highline
3S4			Roof rack preparation	€145	€145	€145
ZD0		ZD1	Medium-high roof painted in body colour	€1,038	€1,038	€1,038
	AF1		Roof locker	-	-	-
	3R8		Medium-high roof painted in body colour	-	-	-
	5CG		Comfort headliner in cab	-	-	-
ZD1		3R8	Medium-high roof	€855	€855	€855
	AF1		Roof locker	-	-	-
	3R6		Medium-high roof in plastic, in candy white	-	-	-
	5CG		Comfort headliner in cab	-	-	-
ZD2			High roof (Double rear doors with windows) in Candy White			
				Short Wheel base	€1,476	€1,476
				Long Wheel Base	€1,503	€1,503
	AF1		Roof locker	-	-	-
	3RG		High rear wing doors with window aperture	-	-	-
	3R1		High roof in plastic, in candy white	-	-	-
	4E4		Rear wing door latch with unlocking function from inside	-	-	-
	4HH		Heated rear window	-	-	-
	4L2		Dimming beakaway interior rearview mirror	-	-	-
	5CG		Comfort headliner in cab	-	-	-
ZD3			High roof (Solid double rear doors) Candy White	€1,806	€1,806	€1,806
	AF1		Roof lock	-	-	-
	3RF		High rear wing doors with sheet metal	-	-	-
	3R1		High roof in plastic, in candy white	-	-	-
	4E4		Rear wing door latch with unlocking function from inside	-	-	-
	4HA		Without rear window	-	-	-
	5CG		Comfort headliner in cab	-	-	-

The Transporter - Optional Extra

Roof continued

Pr. Code	Pk. Code	Forced	Description	Startline	Trendline	Highline
ZD6			High roof (Double rear doors with windows) All other colours	€1,691	€1,691	€1,691
	AF1		Roof locker	-	-	-
	3RG		High rear wing doors with window aperture	-	-	-
	3R2		High roof in plastic, top coat in body colour	-	-	-
	4E4		Rear wing door latch with unlocking function from inside			
	4HH		Heated rear window	-	-	-
	4L2		Dimming beakaway interior rearview mirror	-	-	-
	5CG		Comfort headliner in cab	-	-	-
ZD7			High roof (Solid double rear doors) All other colours	€1,663	€1,663	€1,663
	AF1		Roof locker	-	-	-
	3RF		High rear wing doors with sheet metal	-	-	-
	3R2		High roof in plastic, top coat in body colour	-	-	-
	4E4		Rear wing door latch with unlocking function from inside	-	-	-
	4HA		Without rear window			
	5CG		Comfort headliner in cab	-	-	-

Seating

Pr. Code	Pk. Code	Forced	Description	Startline	Trendline	Highline
4A3			Heated front seats	€455	€455	€455
4S3			Driver armrest	€115	Standard	Standard
NIZ			'Simora' upholstery	€124	Standard	Standard
N2Q			'Mesh' leatherette upholstery	€47	€47	€47
3TS			Bench seat in cab with storage compartment. N/A with 4A3	€104	€104	€104

The Transporter - Optional Extra

Suspension

Pr. Code	Pk. Code	Forced	Description	Startline	Trendline	Highline
1BJ		COE	Reinforced rear shock. N/A on Highline	€262	€262	N/A
2MR		1S2 & 1G8	Heavy duty suspension, shock absorbers and stabilizers	€626	€626	€626
1Y4		4Motion	Differential lock	€923	€923	€923

Accessories

Pr. Code	Pk. Code	Forced	Description	Startline	Trendline	Highline
1D1			Tow-bar (13-pin)	€745	€745	€745
1D2			Detachable tow-bar (13-pin)	€923	€923	€923
1T3			First aid kit and warning triangle	€34	€34	€34
2V5			Charcoal air filter	€25	€25	€25
4HS			Rear wiper	€194	€194	€194
6N2			Mudflaps – front and rear	€183	€183	€183
8FB			Second battery	€297	€297	€297
ZB3			Electric folding mirrors	€172	€172	€172
	4R1		Power Windows	-	-	-
	6XP		Exterior mirrors, power adjustable, heated and folding	-	-	-
ZW6			Programmable parking heater	€2500	€2500	€2500
	7VM		Programmable air parking heater, with radio remote control	-	-	-
	8FB		Second battery with cutoff relay	-	-	-
4GR		P4A/P4B	Heated windscreen	€241	€241	Standard

The Transporter - Technical Data

Model	Engine (Kw)	Engine (cc)	No. Doors	No. Seats	Co2 (g)	Gross Vehicle Weight (Kg)	Payload (Kg)	Unladen Weight (Kg)	Trailer mass broken/unbroken (Kg)	Axel weight front (Kg)	Axel weight rear (Kg)
T6 PVS 2600KG TDI 84HP M5F	62	1968	5	3	156	2600	749	1776	2200/750	1500	1400
T6 PVS 2800KG TDI 102HP M5F	75	1968	5	3	156	2800	949	1776	2200/750	1500	1400
T6 PVS 3000KG TDI 150HP M6F	110	1968	5	3	162	3000	1119	1806	2500/750	1600	1550
T6 PVS 3000KG TDI 150HP M6A	110	1968	5	3	173	3000	997	1928	2500/750	1600	1550
T6 PVS 3000KG TDI 150HP D7F	110	1968	5	3	156	3000	1099	1826	2500/750	1600	1550
T6 PVL 2800KG TDI 102HP M5F	75	1968	5	3	159	2800	893	1832	2200/750	1550	1550
T6 PVL 3000KG TDI 150HP M6F	110	1968	5	3	162	3000	1063	1862	2500/750	1600	1550
T6 PVL 3000KG TDI 150HP M6A	110	1968	5	3	173	3000	941	1984	2500/750	1600	1550
T6 PVL 3000KG TDI 150HP D7F	110	1968	5	3	156	3000	1042	1883	2500/750	1600	1550
T6 PVS T 2800KG TDI 102HP M5F	75	1968	5	3	156	2800	936	1789	2200/750	1500	1400
T6 PVS T 3000KG TDI 150HP M6F	110	1968	5	3	162	3000	1106	1819	2500/750	1600	1550
T6 PVS T 3000KG TDI 150HP M6A	110	1968	5	3	173	3000	984	1941	2500/750	1600	1550
T6 PVS T 3000KG TDI 150HP D7F	110	1968	5	3	156	3000	1086	1839	2500/750	1600	1550
T6 PVL T 2800KG TDI 102HP M5F	75	1968	5	3	157	2800	884	1841	2200/750	1550	1550
T6 PVL T 3000KG TDI 150HP M6F	110	1968	5	3	159	3000	1054	1871	2500/750	1600	1550
T6 PVL T 3000KG TDI 150HP M6A	110	1968	5	3	171	3000	932	1993	2500/750	1600	1550
T6 PVL T 3000KG TDI 150HP D7F	110	1968	5	3	156	3000	1030	1895	2500/750	1600	1550

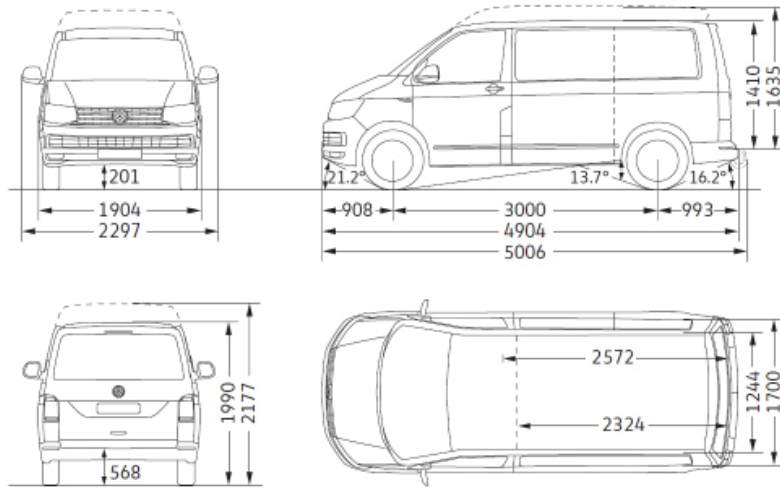
*PVS = Panel Van Short Wheel Base
PVL = Panel Van Long Wheel Base
T= Trendline

The Transporter - Technical Data

Model	Engine (Kw)	Engine (cc)	No. Doors	No. Seats	Co2 (g)	Gross Vehicle Weight (Kg)	Payload (Kg)	Unladen Weight (Kg)	Trailer mass broken/unbroken (Kg)	Axel weight front (Kg)	Axel weight rear (Kg)
T6 PVS H 2800KG TDI 102HP M5F	75	1968	5	3	153	2800	932	1793	2200/750	1500	1400
T6 PVS H 3000KG TDI 150HP M6F	110	1968	5	3	157	3000	1102	1823	2500/750	1600	1550
T6 PVS H 3000KG TDI 150HP M6A	110	1968	5	3	169	3000	980	1945	2500/750	1600	1550
T6 PVS H 3000KG TDI 150HP D7F	110	1968	5	3	156	3000	1078	1847	2500/750	1600	1550
T6 PVS H 3000KG TDI 150HP D7A	110	1968	5	3	167	3000	958	1967	2500/750	1600	1550
T6 PVL H 2800KG TDI 102HP M5F	75	1968	5	3	157	2800	876	1849	2200/750	1550	1550
T6 PVL H 3000KG TDI 150HP M6F	110	1968	5	3	159	3000	1046	1879	2500/750	1600	1550
T6 PVL H 3000KG TDI 150HP M6A	110	1968	5	3	171	3000	924	2001	2500/750	1600	1550
T6 PVL H 3000KG TDI 150HP D7F	110	1968	5	3	156	3000	1022	1903	2500/750	1600	1550
T6 PVL H 3000KG TDI 150HP D7A	110	1968	5	3	167	3000	905	2020	2500/750	1600	1550
T6 PVL H 3000KG TDI 204HP M6F	150	1968	5	3	166	3000	997	1928	2500/750	1600	1550
T6 PVL H 3000KG TDI 204HP M6A	150	1968	5	3	180	3000	884	2041	2500/750	1600	1550
T6 PVL H 3000KG TDI 204HP D7F	150	1968	5	3	166	3000	974	1951	2500/750	1600	1550

*PVS = Panel Van Short Wheel Base
PVL = Panel Van Long Wheel Base
H = Highline

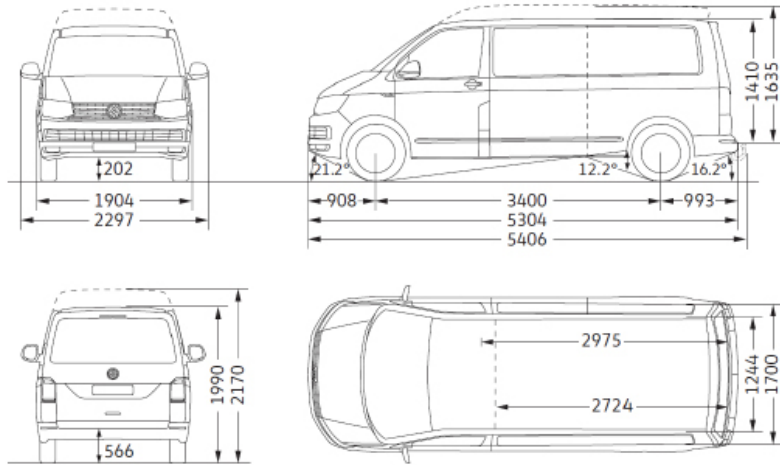
The Transporter - Technical Data



Descriptions	Dimensions
Load compartment, area (m ²)	4.3
Load compartment, volume (m ³)	5.8/6.7
Lateral sliding door, width x height (mm)	1,017 x 1,282
Tailgate, width x height (mm)	1,473 x 1,299
Turning circle (m)	11.9



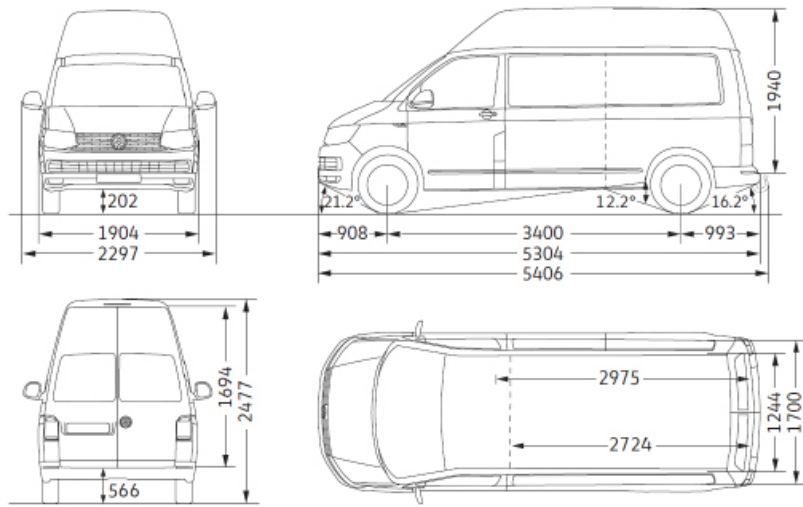
The Transporter - Technical Data



Descriptions	Dimensions
Load compartment, area (m ²)	5.0
Load compartment, volume (m ³)	6.7/7.8
Lateral sliding door, width x height (mm)	1,017 x 1,282
Tailgate, width x height (mm)	1,473 x 1,299
Turning circle (m)	13.2



The Transporter - Technical Data



Descriptions	Dimensions
Load compartment, area (m ²)	5.0
Load compartment, volume (m ³)	9.3
Lateral sliding door, width x height (mm)	1,017 x 1,282
High lateral sliding door (optional extra), width x height (mm)	1,473 x 1,694
Turning circle (m)	13.2
Turning circle (m)	11.9



Volkswagen Transporter Accessories

Top 10 accessories to keep your Transporter 100% Volkswagen.



All Weather Floor Mats.

The Volkswagen Genuine all-weather mats protect your vehicle interior against dirt and moisture. They are designed to fit perfectly, are easy to clean and have a non-slip underside. The integrated model lettering is a particular visual highlight. In addition, the floor mats are very sturdy and durable.

Rubber mats
7H2061501A 041 **€44.90**

Front Mud Flaps.

Long-lasting and durable: The Volkswagen Original mud flaps effectively protect the underbody, side rails and doors against excessive dirt. Moreover, the danger from road chippings and spray is reduced enormously.

Mud flaps
7H0075111 **€63.30**



Rear Mud Flaps.

Long-lasting and durable: The Volkswagen Original mud flaps effectively protect the underbody and bumpers against excessive dirt. Moreover, the danger from road chippings and spray is reduced enormously.

Mud flaps
7H0075101 **€84.10**

Load Edges.

Perfect protection with a sophisticated look- the precisely dimensioned plastic loading sill protection with a highquality, stainless steel look not only protects the bumper against scratches during loading and unloading of the luggage compartment but also enhances its appearance! Adheres quickly and easily.

Adhesive parts
7E0061195A **€133.50**





Door Wind Deflectors.

The Volkswagen Genuine door wind deflectors for the side vehicle doors enable optimal ventilation of the vehicle interior, thus contributing to your driving comfort. They improve the interior climate and allow you to enjoy circulating fresh air even when it is raining or snowing. When the sun is shining, unpleasant heat build-up is prevented in the vehicle interior and annoying wind noise is reduced when the windows are opened to slightly above the lower edge of the wind deflectors. Due to their high quality manufacturing, perfect fit and UVresistance the moulded acrylic-glass door wind deflectors are easy to clean and car wash proof. The simple plug assembly enables them to be installed and used quickly.

Wind deflector door
7E0072193 HU3

€93.90

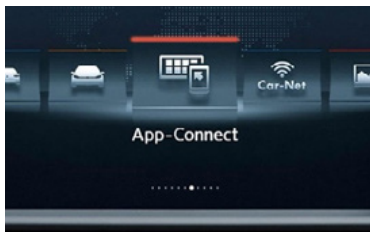


Corvara 16-inch Alloys.

The Volkswagen Genuine Corvara 16-inch alloy wheel in Brilliant Silver features a striking 5-spoke design and has been specially developed for use in winter conditions. The wheel has been tested according to the strict specifications of the VolkswagenGroup, guaranteeing you maximum safety and functionality.

Light alloy wheels genuine Votex
7E0071496 8Z8

€228.40 each



App-Connect.

App Connect – Innovative technologies that allow you to bring smartphone apps onto your infotainment system's touchscreen: the new CarPlay™ function from Apple, and the Android Auto™ function from Google. APPLE CARPLAY™ from Apple, you can manage selected apps from your iPhone while on the move. The apps can be operated with all the ease that you'll have come to expect from an iPhone. Maps, phone, news, music – everything just at the touch of a button. And if you choose, you can even operate the system by voice control. As well as the apps from Apple™, CarPlay™ supports other apps such as Spotify, Stitcher, & Skype . ANDROID AUTO™ from Google enables you to operate suitable apps safely from your smartphone using the Android operating system while driving. With Google Voice, you operate everything by voice input, and you can listen to songs using Google Play Music, Pandora or Spotify, for example. Many other apps are also already supported. As well as the apps from Google™, Android Auto™ supports other apps such as Joyride, Podcast Player, Spotify, Stitcher, Umano, and Pocket Cast.

Convenience and safety
7H0054830

€295.00



Genuine Roof Bars.

The basis for this is the genuine Volkswagen basic support where such articles as ski and snowboard supports, bicycle supports, surfboard supports or the practical ski and luggage box can be attached.

Genuine Roof Bars.
Roof bars genuine
7H0071126E

€208.90



Genuine Roof Bars x4.

Well equipped on the road, thanks to the carrier systems from Volkswagen. The basis for this is the genuine Volkswagen basic support where such articles as ski and snowboard supports, bicycle supports, surfboard supports or the practical roof box can be attached.

Roof bars genuine
7H0071126

€198.90



Premium USB Phone Charging Cable.

Available for all phones and gives good connectivity for use charging or when using in conjunction with App-Connect.

Premium
000.051.446.S

€42.50



All prices shown are Inclusive of VAT. Certain Components shown require fitting, the price of fitting is not included please contact your retailer for the exact fitting price. Volkswagen Group Ireland Limited ("VWGI") believes the specifications and pricing within this PDF to be correct as of December 2018. We reserve the right to change the pricing without notice. Please note that some possible configurations may no longer be available in production or stock. Contact your retailer for the latest information.

The Transporter

Date: 02/05/2019

Please note: All data and specifications are in accordance with information available at the time of going to print and are subject to change without notice. Unladen weight and payload may be influenced by the addition of factory options. Vehicles not currently in stock and customer order vehicles may take a number of weeks for delivery. Certain combinations of vehicle specifications and factory-fitted extras are not compatible and therefore all orders received are subject to confirmation. Models, factory-fitted options and paint and upholstery options are subject to availability. Please check details and availability with an authorised Volkswagen Commercial Vehicles Dealer at the time of ordering.