



Commercial  
Vehicles



# The Crafter Chassis Cab

## Brochure

## Volkswagen Commercial Vehicles' Van Centres. **Working with you.**

### **It's more than a van to you.**

#### **You're more than a customer to us.**

We know that when you choose Volkswagen Commercial Vehicles, you're looking for more than just four walls on four wheels. You want a van that looks after itself while you take care of business. A vehicle that makes a statement, as well as a delivery. An investment for the future that makes a difference today.

### **To us, you're a partner.**

By being there to get to know how you work and what you need, we can offer you more – supporting your plans year after year. It means a partnership that lasts as long as your ownership, with a vehicle and a team that's with you for the journey.

### **Our dedicated network of Van Centres.**

Over **20 Dealerships** and **41 Authorised Repairers** means you're only around 45 minutes on average from our door.



## **Everything for the job... ...and the journey.**

### **The right van.**

We're commercial vehicle experts and finding the right van for your business is what makes us tick. We'll guide you through the range, take you on a test drive and cover all the options.

### **The right accessories.**

From mudflaps to sat navs, plying to roof racks, we'll work with you to create the perfect van – keeping everything 100% Volkswagen to aid high residuals.

### **The right finance.**

Every business is different, so we stay flexible, with a range of finance packages to choose from. Depending on your preference, we'll go through the options to find the one that suits you best.

### **The right support.**

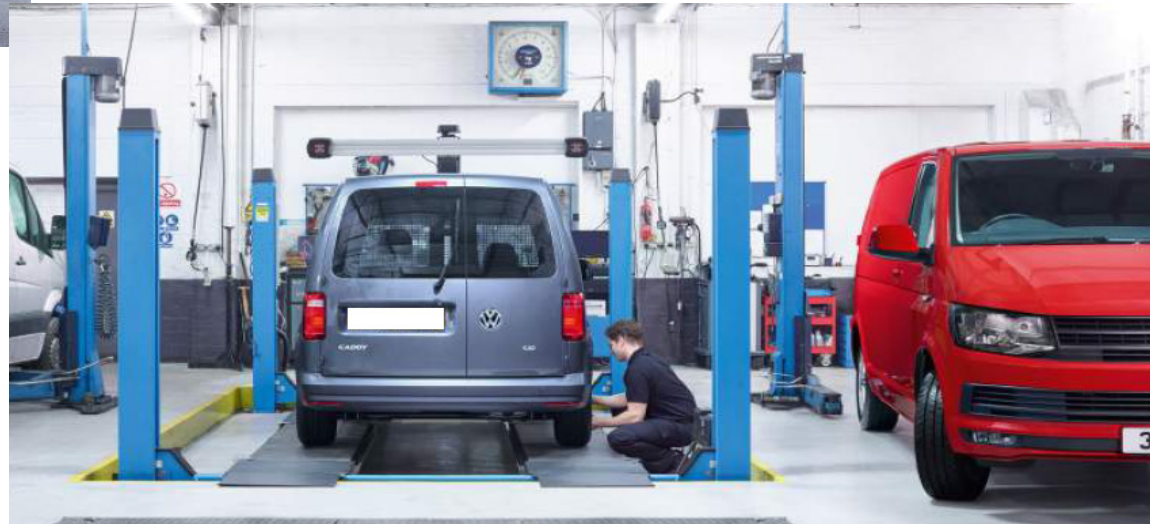
Nothing matters more than keeping you mobile, so our servicing options are built around you. You'll also enjoy three-years' free Roadside Assistance with your new van.

### **The right service.**

We understand it's the little things that make the difference, so we set high standards. We'll call you when we say, keep you informed on delivery dates and support you long after purchase.

### **And there's more...**

We offer a lot more than you might think. From cost-effective van rental or an air conditioning recharge, to a wide selection of premium and budget replacement tyres, if we're not able to help, we'll try and point you in the right direction!



# Ready for the toughest jobs.

- Robust design, technologies and driver assistance systems.
- More practical, economical, and innovative than ever before.
- Outstanding in its class.



## The perfect workplace.

- Available with an ergoComfort/ergoActive suspension seat\*
- A variety of storage solutions with a wide range of different ports and connections
- Available with a heated leather multi-function steering wheel\*
- Available with a 230V socket (300w)\*

## Value for money.

- High residual value
- Low fuel consumption
- Low maintenance costs

## Superb connectivity.

- Telematics preparation including FMS 3.0 compatibility\*
- Customer-specific function control unit (for special bodies and conversions)\*
- Car-Net mobile online services\*

## Numerous driver assistance and safety systems.

- The first with City Emergency Braking and Automatic Post-Collision Braking as standard
- Electromechanical Servotronic steering as standard
- LED headlights\*

\* Available as an option.

Illustration includes options at extra charge. Please contact your local Volkswagen Commercial Vehicles Van Centre for details of the standard equipment and optional extras available.

# The perfect workplace.

## Delivering storage, comfort and technology.



### Storage and carrying compartments.

- Practical open storage compartments, consisting of three separate spaces
- Multiple sturdy cup holders
- Largest glovebox in its class
- Lower dashboard tray with space or longer items
- Storage in the doors for 1.5 litre bottles, folders and much more. Optional above-cab storage

### Ports and connections.

- Standard USB port for charging mobile devices
- Standard Bluetooth® connection for mobile phones in conjunction with all radio and navigation devices
- Multiple 12V sockets. Optional 230V socket for charging tool batteries and laptops (not shown)

### Comfort.

- Optional heated leather multi-function steering wheel
- Narrow 'A' pillars for improved all-round vision

## The ergoComfort suspension seats. Adjustable for a more comfortable driving position.

The optional ergoComfort and ergoActive suspension seats with 20-way adjustment are designed to deliver optimum comfort through the reduction of road-related jolts. The combination of electric and manual adjustment allows the driver to select their preferred seating position. In addition, should you desire, the massage function is also available for the ergoActive suspension seat only.



### The ergoComfort suspension seat.

- A Suspension seat with weight adjustment
- B Longitudinal seat adjustment
- C Seat height adjustment
- D Seat depth adjustment
- E Seat tilt adjustment
- F Backrest adjustment
- G Electric 4-way lumbar support
- H Headrest adjustment
- I Armrest adjustment

### The ergoActive suspension seat.

- J Seat massage function\*

\* This feature is in addition to the standard features of the ergoComfort seat.

Two optional large storage compartments in the roof shelf.



# Assistance Systems.



## Automatic Post-Collision Braking System.

Fitted as standard, the Automatic Post-Collision Braking System triggers braking after a collision, with the aim of preventing secondary collisions.



## Adaptive Cruise Control (ACC).

Optional ACC uses a front radar to measure the distance (up to 120 metres) and speed relative to vehicles driving ahead. It automatically regulates the pre-set distance. ACC also includes the Front Assist with City Emergency Braking System. This detects critical distances, warns of hazardous situations and when necessary, a speed of up to 18mph triggers emergency braking.



## Lane Keeping Assist.<sup>1</sup>

Available as an option, Lane Keeping Assist countersteers the vehicle if the driver unintentionally drifts from a lane. The system also emits audible and visual warnings via the multi-function display to alert the driver of danger.



## Light Assist high-beam assistant.

This practical option automatically dips the headlights when it detects oncoming vehicles, or vehicles travelling ahead, to prevent other drivers from becoming dazzled. The system automatically switches on the high-beam headlights when the vehicle is travelling above 60 kmph in darkness.

<sup>1</sup> Within the system's thresholds. Please contact your local Volkswagen Commercial Vehicles Centre for details of the standard equipment and optional extras available.

Images shown are for illustration purposes only and may not necessarily reflect Irish specification.



**Electromechanical Servotronic steering.**  
Fitted as standard, Electromechanical Servotronic steering provides a speed-sensitive operation with active return. This improves the steering feel around the mid-point, providing improved levels of steering precision.



**Electronic Stabilisation Programme (ESP).**  
Fitted as standard, ESP is designed to prevent the vehicle from swerving in critical driving conditions by controlled and targeted intervention in the brakes and engine management system. This helps to maximise directional stability.



**Cruise control.\***  
At 18mph and above, the system maintains your chosen preset speed through uphill and downhill inclines. Standard on all models.



**Tyre pressure monitoring system. 1\***  
Displays the current pressure for every tyre and warns of deviations from the set pressure. Optional on all models.



**Driver Alert System.**  
Uses visual and audible warning signals to recommend that the driver takes a break as soon as it registers driving behaviour that indicates tiredness. Standard on all models.



**Road Sign Display.\***  
Detects road signs and informs the driver about the current traffic situation. Optional on all models.



**Fog lights with cornering function.\***  
Ensures optimum visibility in poor weather conditions and illuminates the roadside when turning. Standard on all models.



**Hill Descent Assist. 2**  
Allows you to descend slopes in a safe, controlled way by regulating the engine speed and applying the brakes as necessary.



**Hill Start Assist.**  
This prevents the vehicle from rolling back on inclines, making it easier to start off on uphill slopes. Standard on all models.



**Lane Change Assist – Side Scan. \***  
Side Scan displays a warning signal on the exterior mirror as soon as one of its sensors detects a vehicle in a blind spot during a lane change. Optional on all models.



**Anti-lock braking system (ABS). 1**  
Prevents wheels from locking up and, thus, maintains manoeuvrability. Standard on all models.



**Traction control system (ASR).**  
Prevents wheelspin on poor or unstable surfaces.



**Driver's and front passenger's airbags.**  
Provides the best possible protection in the event of a frontal impact as a standard feature. Side airbags are also available as an option.



**Seat belt warning.**  
If their seat belt is not fastened, the seat belt warning reminds the driver to fasten it with a visual warning when the engine is started, and an audible warning after setting off. Standard on all models.



Crafter

1 Within the system's thresholds. \*optional extra (varies per trimline)

Illustration includes options at extra cost. Please contact your local Volkswagen Commercial VehiclesCentre for details of the standard equipment and optional extras available.

# Audio & Communication.



## 01 Radio 'Composition Audio'

Fitted as standard on the Startline, the Composition Audio radio system features a thin film transistor LCD screen, two USB (type-C) ports, Bluetooth®, SD card slot and four speakers delivering 20 watt output.



## 02 Radio 'Composition Colour'

The optional 'Composition Colour' radio system features a 6.5 inch TFT touch-screen colour display, two USB (type-C) ports, Bluetooth®, SD card slot and four speakers delivering 20 watt output. It also features App-Connect, an integrated eSIM and mobile online services as part of We Connect and We Connect Plus.



## 03 Radio 'Ready 2 Discover'

The optional 'Ready 2 Discover' radio system features a 8 inch TFT touch-screen colour display, four speakers delivering 20 watt output and Navigation system preparation. It also features wired & wireless App-Connect, an integrated eSIM and mobile online services as part of We Connect and We Connect Plus.



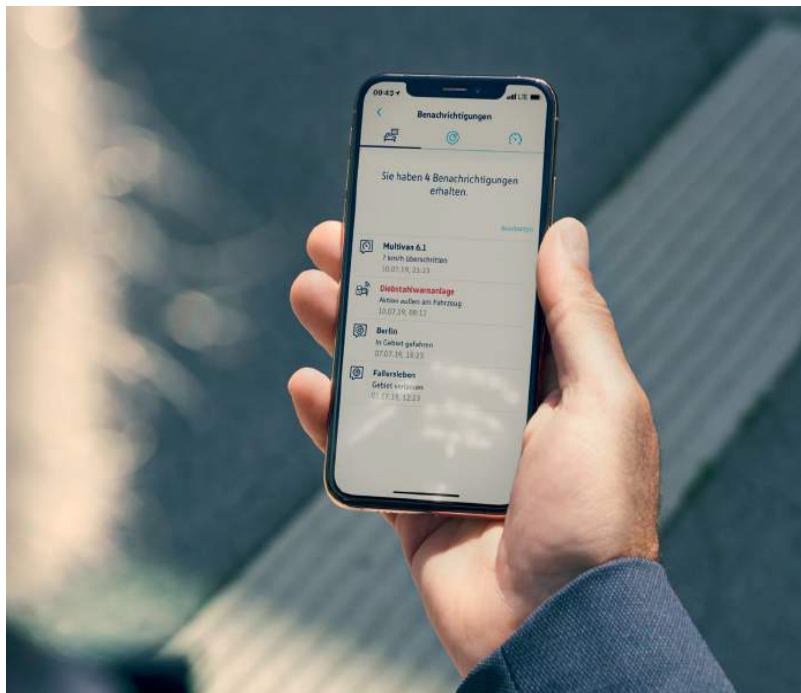
## 04 Navigation system 'Discover Media'

The optional 'Discover Media' satellite navigation system features an 8 inch colour touch-screen with proximity sensor. The system also includes a 32GB media storage, natural voice control, free map updates via the internet and mobile online services with Volkswagen We Connect Plus, App-Connect and integrated eSIM.



# We Connect<sup>1</sup> and We Connect Plus<sup>1,2</sup>

With Volkswagen We Connect<sup>1</sup> driving will now be even more digital, closely integrated and comfortable. A wide range of services gives you quick access to the California 6.1 – conveniently via your smartphone. The heart of the system is the We Connect<sup>1</sup> App. It connects your smartphone to the vehicle with an integrated eSIM card. The standard We Connect<sup>1</sup> package includes various vehicle reports, useful tools for service planning and a breakdown call. Also included: the parking position finder, which guides you directly to the vehicle. You can add many other services with the We Connect Plus<sup>1,2</sup> package. For example, using your smartphone, the online anti-theft warning system immediately sends a message to the mobile phone in the event of burglary attempts, and thanks to online map updates, the map material is always up to date. To take advantage of these exclusive services, you can register today with the We Connect<sup>1</sup> Portal. Once your vehicle has been activated, you can access the full range of Mobile Online Services.



## We Connect<sup>1</sup>

Breakdown call

Information call

Parking Position

Automatic Accident Notification

Vehicle status

Doors & Lights

Vehicle Health Report

Driving Data

Service Scheduling



## We Connect Plus<sup>1,2</sup>

Online Traffic Information<sup>7</sup>

Online POI search

Online Map Update

Online Voice Control

Media Streaming<sup>6</sup>

Area Alert

Online anti-theft warning system<sup>3</sup>

Lock & Unlock<sup>4</sup>

Speed Alert

Horn & Turn Signals

Online Route Calculation

Filling Stations

Parking Spaces

<sup>1</sup> To use We Connect services, you need a Volkswagen ID user account and must log in to We Connect with your user name and password. A separate We Connect contract or We Connect Plus contract will also need to be made online with Volkswagen AG. For We Connect Plus you have 90 days after the handover of the vehicle to register the vehicle on [www.portal.volkswagen-we.com](http://www.portal.volkswagen-we.com) and can use services free during this time. <sup>2</sup> Free of charge for the first year when you order Composition Colour or Discover Media navigation system. There is an extra charge in the event of renewal once the free period has expired. <sup>3</sup> Only in combination with the anti theft alarm system. Standard on Highline models, optional on Startline models. <sup>4</sup> The Lock & Unlock service is a security feature and requires a prior identity check by means of the Volkswagen ID procedure. This involves your identity being checked by a Volkswagen dealer or via video chat. <sup>5</sup> Available from April 2020. <sup>6</sup> Only available in conjunction with the Discover Media navigation system and Streaming & Internet package. Optional at extra cost. The scope of services of We Connect and We Connect Plus may vary and can be used at a later date. <sup>7</sup> Only in conjunction with the Discover Media navigation systems. Optional at extra cost.

# Crafter Chassis Startline

## Standard Equipment

### Exterior

Cab doors with power windows

Exhaust tailpipe extruding at vehicle center

Fuel tank filter secured by locking passenger door

Halogen twin headlamps

Painted bumpers

### Cab Area

"Double Grid" cloth upholstery

Heat insulated windshield made of laminated glass

Convenient storage compartments

Interior lighting in passenger compartment

Internal steps in passenger compartment

Electronically controlled heating system

Rubber floor covering in cab

Drivers seat with reach and rake adjustments

Dual passenger seat with storage

Electric front windows

12v sockets x2

Two reading lights

### Audio & Communications

Mobile phone interface

"Composition Audio" - Bluetooth

Radio FM/AM

### Safety & Security

Anti-lock Braking System (ABS)

Brake assist

Electronic Brake-Force Distributions (EBD)

Electronic Differential Lock (EDL)

Electronic stabilisation programme (ESP)

Height-adjustable head restraints

Hill start assist

Remote Central Locking with interior locking



# Paint & upholstery



Candy White



Indium Grey Metallic\*



Cherry Red



Reflex Silver Metallic\*



Deep Ocean Blue



Ontario Green



Deep Black Pearl Effect\*

\* Charged optional extra



"Memphis" Fabric



"Rpbusta" Fabric



"Pure Diamond" Leatherette

# Engine & gearbox data

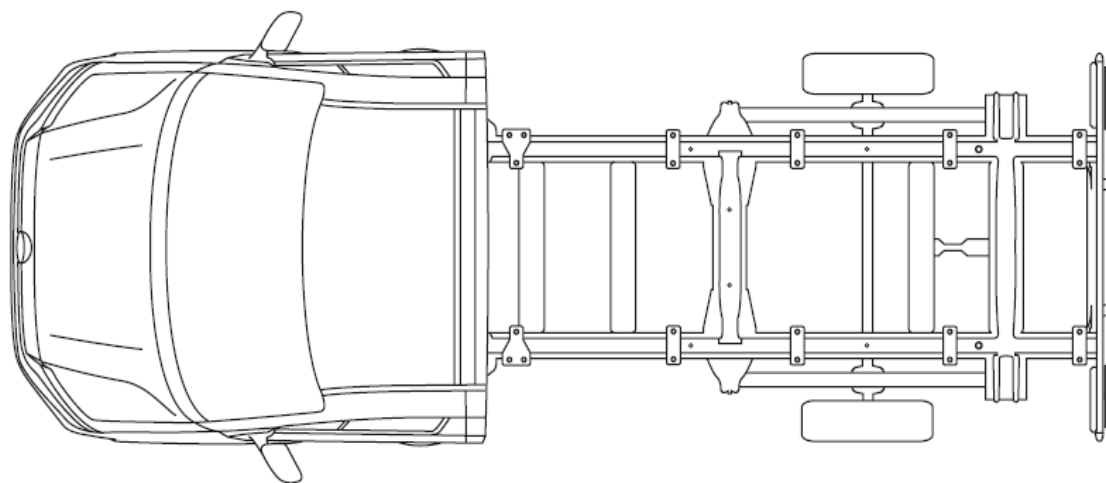
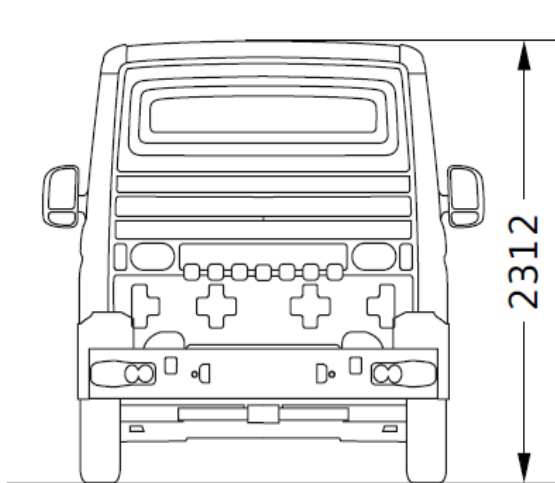
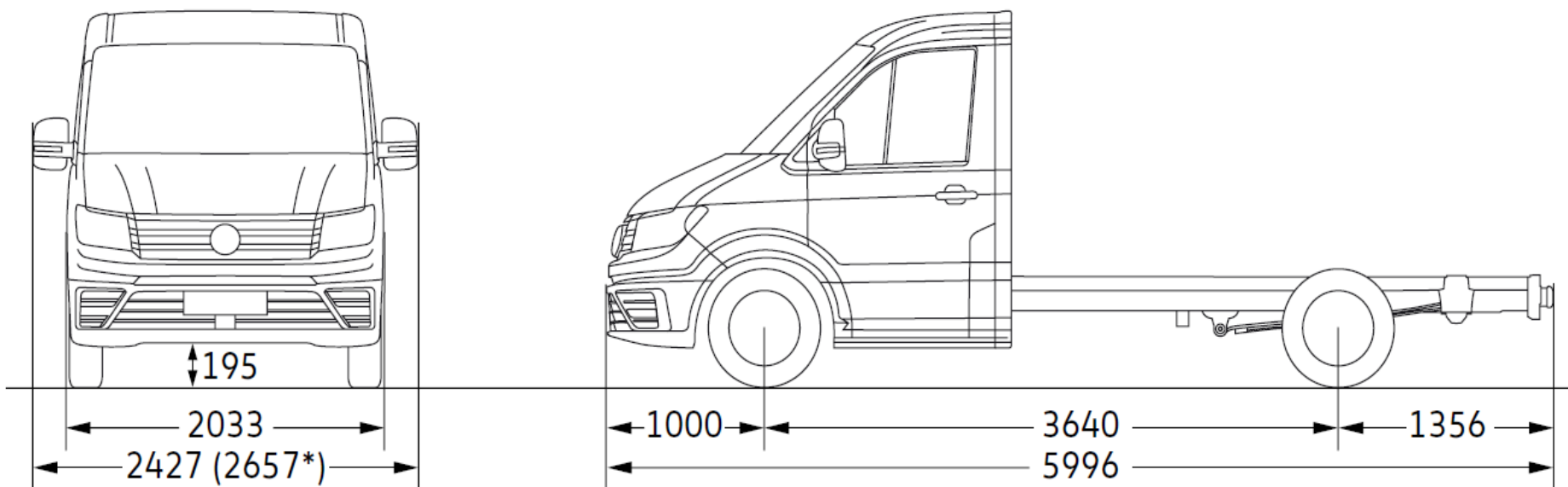
Engine specifications	2.0 TDI 177HP
Mixture preparation/injection method	Common-rail/exhaust-gas turbocharger
EU exhaust emission standard	6d-TEMP-EVAP-ISC
Number of cylinders	4
Cubic capacity	1,968cc
Output, HP at rpm	177 at 3,600
Torque, max. Nm at rpm	410 at 1,500-2,000
Fuel tank capacity	75 litres
AdBlue® tank capacity	18 litres
Diesel Particulate Filter [DPF]	●
6-speed manual gearbox	●
8-speed automatic gearbox	○
Front-wheel drive	●
Rear-wheel drive	○
4MOTION	○
Alternator	180 A
Battery	95 Ah

# Chassis Cab technical data & weights

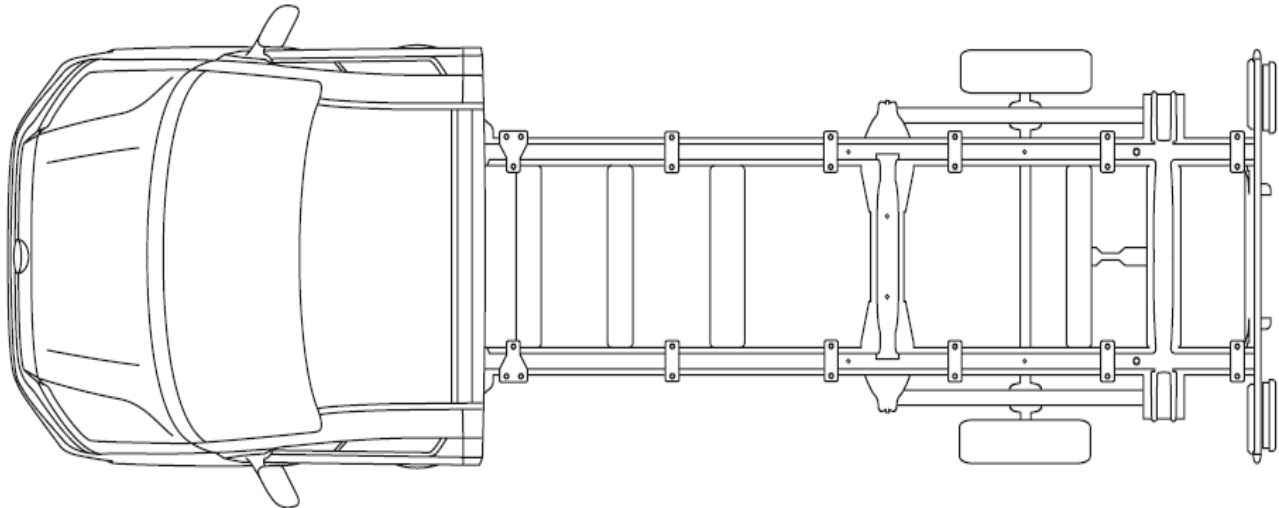
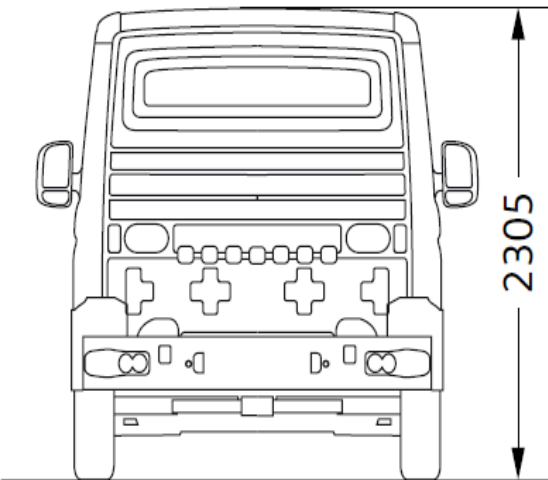
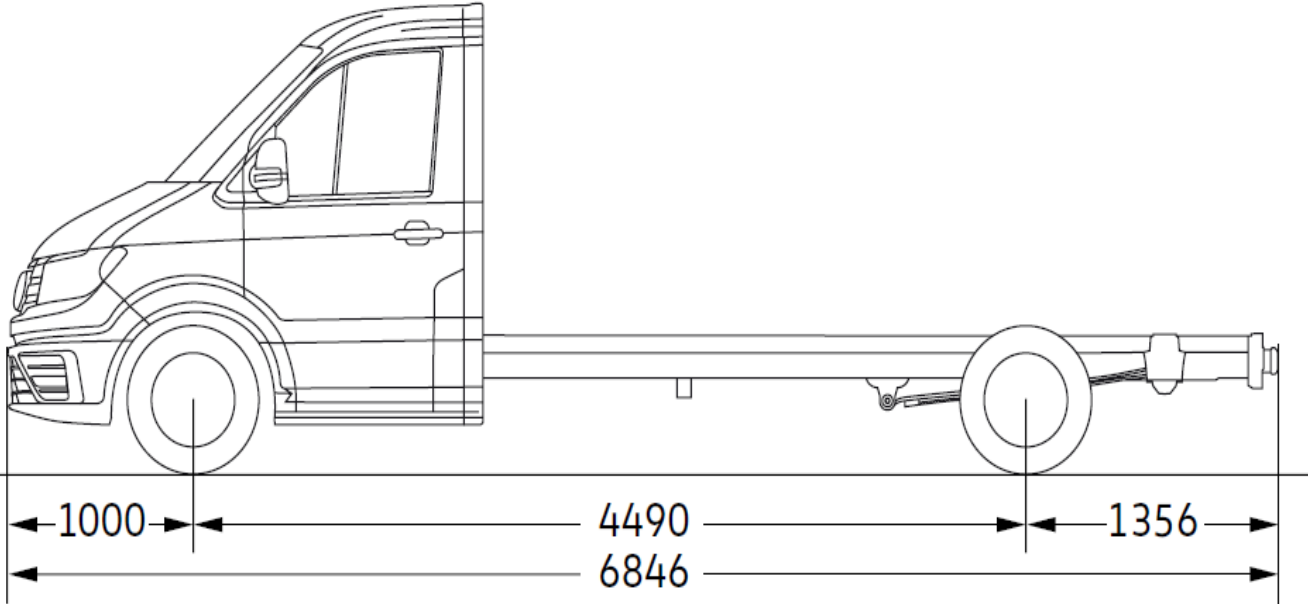
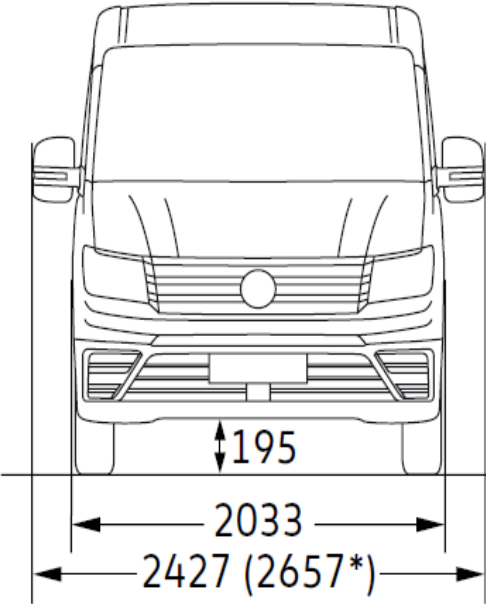
Model	Engine	Engine (cc)	No. Doors	No. Seats	WLTP Co2 (g)	Gross Vehicle Weight (Kg)	Payload (Kg)	Unladen Weight (Kg)	Trailer mass braked/unbraked	Axel weight front (Kg)	Axel weight rear (Kg)
CRAFTER CC 35 MWB 177HP A8F	177	1968	2	3		3500	1661	1764	3000 / 750	1800	2100
CRAFTER CC 35 MWB 177HP A8A	177	1968	2	3		3500	1535	1890	3000 / 750	1800	2100
CRAFTER CC 35 LWB 177HP A8F	177	1968	2	3		3500	1631	1794	3000 / 750	1800	2100
CRAFTER CC 35 LWB 177HP A8A	177	1968	2	3		3500	1504	1921	3000 / 750	1800	2100

**Please Note:** additional weight categories and variations are available upon request for fleet orders. Please contact your local Volkswagen Commercial Van Centre for more information in our range of products.

# Chassis Cab MWB dimensions



# Chassis Cab LWB dimensions



# Chassis Cab pricelist

## Startline

### Medium Wheel Base

Model Code	Engine / Transmission	GVW(KG)	RRP* (ex VAT)	VRT	VAT	RRP (incl. VAT)	ROTR* (Incl Delivery)
SZBB8B	2.0 TDI 177hp 8-speed automatic	3500	€ 32,695.44	€ 200.00	€ 7,519.56	€ 40,415.00	€ 41,365.00
SZBB8Z	2.0 TDI 177hp 8-speed automatic 4M	3500	€ 36,271.95	€ 200.00	€ 8,343.05	€ 44,815.00	€ 45,765.00

### Long Wheel Base

Model Code	Engine / Transmission	GVW(KG)	RRP* (ex VAT)	VRT	VAT	RRP (incl. VAT)	ROTR* (Incl Delivery)
SZCB8B	2.0 TDI 177hp 8-speed automatic	3500	€ 33,630.22	€ 200.00	€ 7,734.78	€ 41,565.00	€ 42,515.00
SZCB8Z	2.0 TDI 177hp 8-speed automatic 4M	3500	€ 37,203.49	€ 200.00	€ 8,556.51	€ 45,960.00	€ 46,910.00



# The Crafter Chassis Cab

This brochure supersedes all previous publications.

Issue: 01 October 2021

[www.volkswagenvans.ie](http://www.volkswagenvans.ie)

Please note: Screen technology does not allow exact reproduction of the paint and upholstery colours. Some of the vehicles shown are European specification and may be fitted with optional equipment or accessories that are available at extra cost, or do not reflect current specification. All data and specifications are in accordance with information available at the time of publication and are subject to change without notice. Vehicles not currently in Irish stock and customer order vehicles may take a number of weeks for delivery. Certain combinations of vehicle specifications and factory-fitted options are not compatible and therefore all orders received are subject to confirmation. Models, factory fitted-options and paint and upholstery options are subject to availability. Please check details and availability with an authorised Volkswagen Van Centre at the time of ordering.