



# The Caddy

Brochure



Commercial  
Vehicles



## Volkswagen Commercial Vehicles' Van Centres. Working with you.

### It's more than a van to you.

#### You're more than a customer to us.

We know that when you choose Volkswagen Commercial Vehicles, you're looking for more than just four walls on four wheels. You want a van that looks after itself while you take care of business. A vehicle that makes a statement, as well as a delivery. An investment for the future that makes a difference today.

### To us, you're a partner.

By being there to get to know how you work and what you need, we can offer you more – supporting your plans year after year. It means a partnership that lasts as long as your ownership, with a vehicle and a team that's with you for the journey.

### Our dedicated network of Van Centres.

Over **20 Dealerships** and **41 Authorised Repairers** means you're only around 45 minutes on average from our door.



## Everything for the job... ...and the journey.

### The right van.

We're commercial vehicle experts and finding the right van for your business is what makes us tick. We'll guide you through the range, take you on a test drive and cover all the options.

### The right accessories.

From mudflaps to sat navs, plying to roof racks, we'll work with you to create the perfect van – keeping everything 100% Volkswagen to aid high residuals.

### The right finance.

Every business is different, so we stay flexible, with a range of finance packages to choose from. Depending on your preference, we'll go through the options to find the one that suits you best.

### The right support.

Nothing matters more than keeping you mobile, so our servicing options are built around you. You'll also enjoy three-years' free Roadside Assistance with your new van.

### The right service.

We understand it's the little things that make the difference, so we set high standards. We'll call you when we say, keep you informed on delivery dates and support you long after purchase.

### And there's more...

We offer a lot more than you might think. From cost-effective van rental or an air conditioning recharge, to a wide selection of premium and budget replacement tyres, if we're not able to help, we'll try and point you in the right direction!







**Bold. Sharp. Dynamic.**

## **Design.**

The Caddy exudes the highest levels of competence and dependability. It's focused in every way – no more so than through its dynamic exterior styling. While the front delivers a bold stance, the rear features sharp design and elegantly sculptured rear light clusters. Additional highlights include a chrome strip on the radiator grille, stylish side indicators and a range of attractive alloy wheels.





**Quality. Function. Convenience.**

## **Interior.**

The Caddy has a car-like dashboard with a super high-quality finish. To assist your working day you'll discover plenty of ingenious storage solutions, ergonomic seating and a broad selection of radio and infotainment systems – including DAB+ radio and Bluetooth® as standard. With front seat occupants benefitting from electrically heated and adjustable wing mirrors, electric windows, front and curtain airbags as standard, it's a safe and convenient place to spend your working day. Add these ingredients together and the Caddy's interior moves comfort and style to a whole new level.



Standard overhead Storage Compartment

## **Radio and Infotainment**

### **Radio and navigation.**

The latest-generation devices are available, including the standard Composition Colour touch-screen DAB+ radio system, optional Composition Media DAB+ radio system, as well as the Discover Media navigation system which is standard on Highline and optional on all other models.

### **App-Connect.**

Available as an option, App-Connect allows you to operate special apps. The screen of your smartphone can be shown on the radio system's display.

### **Connectivity package.**

Available as an option, external media devices, such as MP3 players, can be connected via the USB port. Additionally, the standard mobile phone interface offers a Bluetooth® hands-free speaking system.





Your safety is our priority.

## Safety systems.

Your safety is vital, so we ensure that a long list of safety and security features are built into every vehicle we produce. Since we first introduced structural safety features on commercial vehicles over 35 years ago, Volkswagen has maintained a policy of continuous safety development. Every Volkswagen model incorporates a range of both active and passive safety features, to help ensure the safety and security of both you and your load.

With the vehicle's design contributing to safety, occupants are securely enclosed within a rigid safety cell with crumple zones to absorb crash energy, while the chassis and suspension are designed for excellent directional stability and handling. Features such as Anti-lock Braking System (ABS), Electronic Brakeforce Distribution (EBD), Electronic Stabilisation Programme (ESP), driver and passenger front and curtain airbags, electric seatbelt tensioners and Automatic Post-Collision Braking System are fitted as standard.

For additional security and protection, an electronic immobiliser and remote central locking with dead locking and internal locking button are standard, while optional features such as anti-theft devices, front and rear parking sensors, Bi-xenon headlights, automatic rain-sensing wipers and front fog lights with integrated cornering lights all offer additional peace-of-mind.



### Automatic Post-Collision Braking System.

Standard on all Caddy models, it triggers braking after a collision, with the aim of preventing secondary collisions.



### Electronic Stabilisation Programme (ESP).

Designed to prevent the vehicle from swerving in critical driving conditions by controlled and targeted intervention in the brake and engine management. This helps to maximise directional stability.



### Anti-lock Braking System (ABS).

Designed to prevent wheels from locking up and assist manoeuvrability of the vehicle under heavy braking.



### Traction Control System (TCS).

Aids smooth starts and acceleration by reducing wheel-spin. The system also incorporates the Electronic Differential Lock (EDL) and makes up part of the Electronic Stabilisation Programme (ESP).



### Electronic Differential Lock (EDL).

Allows smooth starts on slippery or loose road surfaces. If one wheel starts to spin, EDL is designed to brake the wheel as necessary, directing power to the wheel with greater traction.



### Airbags.

Driver and passenger front and curtain airbags are standard. They offer occupants improved protection in the event of head-on or side impacts.



### Seatbelt warning.

The seatbelt warning reminds the driver that their seatbelt is not fastened. Audio and visual signals are used to request that the seatbelt is fastened before driving.



# Innovative. Intelligent. Intuitive.

## Driver assistance systems.

To help ensure every journey ends as stress-free as it begins, the Caddy is equipped with a number of systems – all of which are activated in critical situations as a preventative measure. Add to this a variety of innovative driver assistance systems and you'll discover the Caddy offers high levels of safety and peace-of-mind.



Parking Aid Standard on Trendline and Highline models



Optional Rear-view camera system



### Cruise control including speed limiter.

Available as an option, cruise control maintains the selected speed, or limits the top speed, to a value set by the driver.



### Driver Alert System.

Available as an option, the Driver Alert System registers deviation from normal steering patterns and uses visual and acoustic warnings to recommend that the driver takes a break.



### Brake Assist.

Fitted as standard, the system registers the speed at which the brake pedal is pressed. During emergency braking, it helps ensure full brake pressure is applied more quickly.



### Daytime running lights.

Fitted as standard, daytime running lights offer increased visibility. For extra driver convenience, the dipped beam headlights are automatically switched on when you start your vehicle.



### Hill Hold Assist.

Fitted as standard, the convenient Hill Hold Assist helps to prevent your vehicle from rolling back when pulling away on an incline. The hold operates for approximately two seconds.

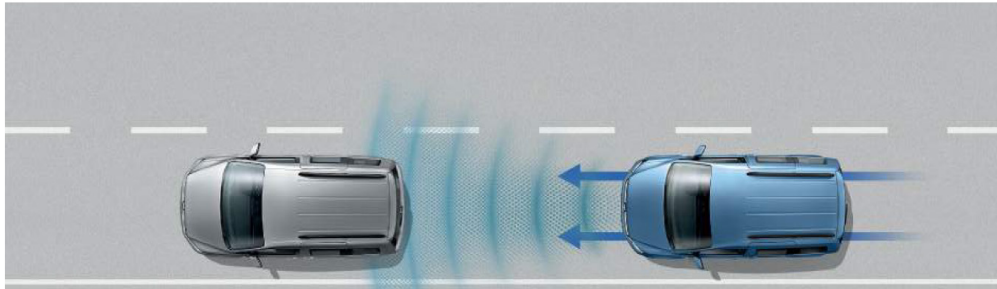


### Tyre pressure monitoring.

The optional tyre pressure monitoring display (standard on kombi) activates a warning signal to highlight significant changes in tyre pressure. This lets the driver know that the tyre pressure should be checked as soon as possible.



# An intelligent driving experience. Assistance when you need it.



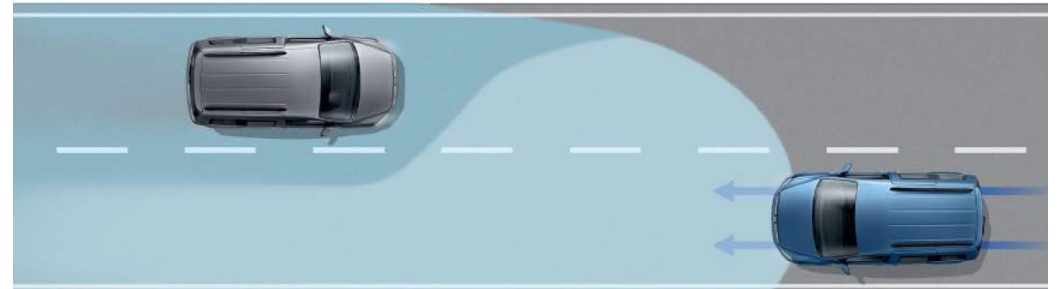
## Front Assist with City Emergency Braking System.

Standard Front Assist area monitoring system with City Emergency Braking System detects critical distances, warns of hazardous situations and when necessary, triggers emergency braking.



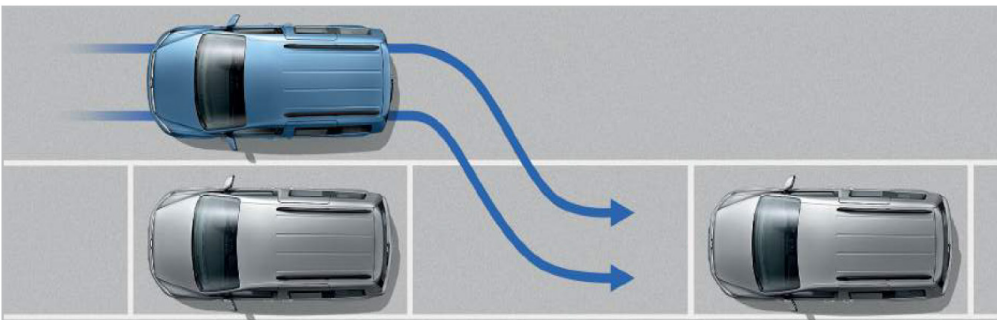
## Adaptive Cruise Control (ACC).

Available as an option, ACC uses a front radar to measure the distance (up to 120m) and speed relative to vehicles driving ahead. It automatically regulates the pre-set distance.



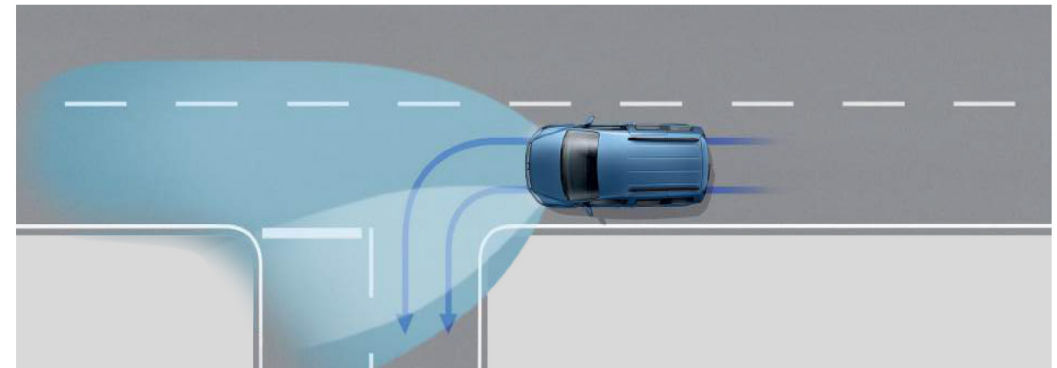
## High Beam Assist.

Available as an option, High Beam Assist automatically dips the headlights and prevents dazzle for oncoming vehicles, or vehicles travelling ahead. At night time at speeds of above 37mph, the system automatically switches the headlights to high-beam.



## Park Assist.

This useful option aids positioning into parking spaces. When reverse is engaged, the vehicle assumes control of the steering. All that's required of the driver is to operate the clutch, accelerator and brake pedals.



## Fog lights with integrated cornering lights.

Available as an option, these help to illuminate curves and bends in the road ahead. This aids the driver in spotting any obstacles where the vehicle is turning.



## Access made easy. Rear door solutions.

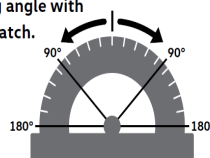
Load. Unload. The doors of a commercial vehicle are opened and closed repeatedly throughout the course of a working day. That's why the Caddy is built with hinges, rails and handles that are designed for hard work. We also know that flexibility is important, so the rear of the Caddy is available with a choice of configurations to suit the needs of your particular business. Whether you choose the standard glazed asymmetric rear wing doors with heated windows and wash-wipe, or a glazed or unglazed tailgate with a stylish integrated rear spoiler and soft-touch operation, you'll find a low load bed, combined with a generous opening width of 1,181mm and height of 1,129mm, which helps to make load access easy and convenient.



Rear wing doors

**180°**


opening angle with  
secure latch.



## Versatility. Flexibility. Choice.

# Load space solutions.

All Caddy models provide a spacious load compartment that can be tailored to your needs. The standard specification includes multiple load-lashing rings (six on Caddy and eight on Caddy Maxi), painted load floors on panel vans and rubber floor coverings on the kombi. With a range of optional bulkheads, robust load floor coverings, storage solutions, ventilation and electrical upgrades – not to mention our range of Volkswagen accessory 'Add Ons', any Caddy can be specified to suit your requirements.



Versatile and  
**clever**  
load space solutions.



Full-height solid bulkhead. Standard on Caddy Maxi panel van.



Optional rubber load floor covering. Standard on Caddy Maxi kombi.



Multiple load-lashing rings.



Optional load compartment ventilation.



So which model do you need?

# Choose your van.

## Your van.

You probably already have an idea about what you need from your ideal van and what you'll need to carry. Likewise, you're sure to have an idea about what's the heaviest, tallest, widest or longest load you'll need to get into your vehicle. If you're a Fleet Manager, then you'll probably need a variety of options and more than one vehicle. Bearing these factors in mind, the information featured here is designed to help as a quick guide to which vehicle may be the closest match to your own specific requirements.

## Your trimline.

For added choice, there's a variety of trimlines available, each delivering its own distinct feel. From the robust Startline to the luxurious Highline, you're sure to find a vehicle and trimline combination that not only works hard, but also creates the right impression.

## Your choice.

And remember, that's not all. Every Caddy is available with a wide range of options and accessories – all designed to further help tailor your vehicle to your own particular needs.

*So which model do you need?*

## How to select your van:

1. Think about the maximum length and height of your load. This will help you choose either a Caddy or Caddy Maxi. If you need to carry more than one passenger, you'll need to consider choosing a Caddy Maxi kombi.
2. Consider your payload ranges and think about the heaviest load you need to carry. This will help you to check that your choice is suitable.
3. If you've chosen a Caddy or Caddy Maxi, decide on your preferred trimline.
4. Take a look at the separate Caddy price list to discover which engines and options are available for your chosen van.

### Caddy panel van.

Load length: 1,779mm  
Load height: 1,244mm  
Payload: 545-734kg

**3.2m<sup>3</sup>**  
load area volume.

**Trimlines:**  
Startline, Trendline, Highline

**Engines:**  
TDI: 102PS, 150PS  
TSI: 102PS



### Caddy Maxi panel van.

Load length: 2,249mm  
Load height: 1,259mm  
Payload: 700-736kg

**4.2m<sup>3</sup>**  
load area volume.

**Trimlines:**  
Startline, Trendline, Highline

**Engines:**  
TDI: 102PS, 150PS  
TSI: 102PS



# Dimensions.

So much more than just a stylish, agile, compact and well-built delivery van, the Caddy panel van delivers space in abundance. With a load volume of  $3.2\text{m}^3$ , it easily carries weights of up to 734kg and accommodates a load length of 1,779mm, load width of 1,556mm (1,170mm between the wheel arches) and load height of 1,244mm. Access at the rear is through two asymmetric wing doors, while a tailgate can be specified as an option. Side access is through a near-side sliding door, which when open, allows a width of 701mm and height of 1,097mm. If required, an off-side sliding door can be specified as an option, allowing for easy access to both sides of the vehicle.

The Caddy Maxi panel van offers many of the same great features as the Caddy panel van, but with the addition of more space. With a load volume of  $4.2\text{m}^3$  and a longer wheelbase, the Caddy Maxi provides an additional  $1\text{m}^3$  of load volume and an extra 470mm of load length – giving up to 2,249mm of usable space.

Our range of  
**spacious**  
compact vans.



**1,836mm** - Maximum roof height.



**4,405mm** - Caddy length.

**4,878mm** - Caddy Maxi length.



Choose your trimline.

# Startline equipment.

Once you've found your ideal van – or indeed vans if you're a fleet customer, the next step is to choose your perfect trimline. Both the Caddy and Caddy Maxi have a choice of three levels (**Startline, Trendline and Highline**) – each with their own particular strengths and all designed to create the right impression for your business.



## Exterior

Radiator grill, embossed, with chrome strip

Sliding door, left in load area

Black door mirrors and handles

Black front and rear bumpers

Rear wing doors with opaque film

55-litre lockable fuel tank

Steel wheels (15")

## Cab Area

"Austin" cloth upholstery

Door mirrors, electrically heated and adjustable

Driver's seat with height, reach and rake adjustments

Electric front windows

Lockable glove compartment

Rubber floor covering

12v socket

## Load Compartment

Full partition

Interior entry step

Load-lashings rings

Steel flooring

Door activated interior light

## Audio & Communication

Bluetooth phone connectivity with trip computer and multi-function display

"Composition Colour" radio system with 5" touch-screen, MP3 compatible, CD Drive, SD card slot, AUX-IN socket and four speakers

USB input

## Safety & Security

Anti-lock Braking System (ABS)

Brake assist

Daytime running lights

Driver & front passenger front and curtain airbags

Electronic Brake-Force Distributions (EBD)

Electronic Differential Lock (EDL)

Electric seatbelt tensioners

Electronic Stabilisation Programme (ESP)

Height-adjustable head restraints

Height and rake adjustable steering column

Hill hold control

Remote central locking with interior locking

Seatbelt warning when not engaged

Start/Stop system with regenerative braking



# Equipment in addition to Startline.

## Trendline equipment.

### Audio & Communication

Multi-function display "Plus"

### Cab Area

Cruise control

Driver alert system

Leather wrapped steering wheel

Storage compartment under front driver and passenger seats

Twin sun visors with vanity mirrors

8 way adjustability on drivers seat, including lumbar support

### Exterior

Body-coloured bumpers, mirrors and door handles

Rear park distance control

Wheel Trims





# Equipment in addition to Trendline.

## Highline equipment.

### Audio & Communication

"Composition Media" entertainment system

### Cab Area

Automatically dimming rear view mirror with rain sensor

Climatic air conditioning

Automatic driving light control

Coming home and leaving home function

Heated windscreen

Automatic headlights

Leather multi-function steering wheel & gear knob

### Exterior

Front fog lights

### Alloy Wheels

15" 'Caloundra' alloy wheels

16" 'Bendigo' alloy wheels - Standard on 150hp

### Safety & Security

Lockable wheel bolts



# Paint & upholstery.



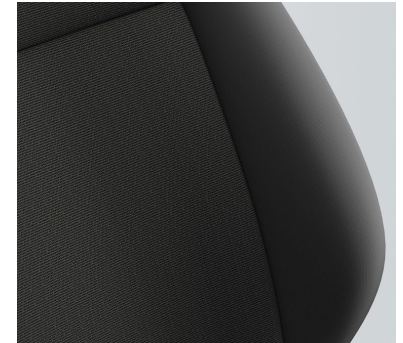
**Candy White**



**Pure Grey**



**Cherry Red**



**Austin**  
Titanium Black Cloth



**Reflex Silver\***



**Indium Grey\***



**Deep Black (Pearlescent Effect)\***



**Marathon**  
Moonrock Robust Cloth



**Chesnut Brown\***



**Starlight Blue\***



**Blackberry\***



**Leatherette**  
Moonrock Synthetic Leather



**Acapulco blue\***



**Fortana Red \***



**Mojave Beige\***

\*Optional extra at additional cost



# Wheels.

01. 15" wheel trim. Standard on 102PS Trendline.

02. 15" Caloundra. 6J x 15 alloy wheels with 195/65 R15 tyres. Standard on 102HP Highline.

03. 16" Bendigo. 6J x 16 alloy wheels with 205/55 R16 tyres. Standard on 150HP Highline.

04. 16" Fortaleza. 6J x 16 alloy wheels with 205/55 R16 tyres.

05. 17" Canyon. Silver/Anthracite. 6J x 17 alloy wheels with 205/55 R17 tyres.

06. 17" Canyon. Silver/Anthracite. 6J x 17 alloy wheels with 205/55 R17 tyres.

07. 17" Rockhampton. 6J x 17 alloy wheels with 205/55 R17 tyres.

01



02



04



03



07



05



06



# Audio and Communication.



## 01 Composition Colour DAB+ radio system.

Standard on all Caddy models, the Composition Colour DAB+ radio system features a 5" TFT touch-screen colour display, USB port, Bluetooth®, SD card slot, AUX-IN interface, MP3 and WMA compatible CD drive, 4 x 20 watt output with two speakers and a dual tuner with Phase Diversity for optimum radio reception.

## 02 Composition Media DAB+ radio system.

The optional Composition Media DAB+ radio system features an increased touch-screen size of 6.33" with proximity sensor, USB port, Bluetooth®, SD card slot, AUX-IN interface, MP3 and WMA compatible CD drive, 4 x 20 watt output with four speakers and a dual tuner with Phase Diversity for optimum radio reception. App-Connect is available as an option for this system.



## 03 Discover Media satellite navigation system.

The Discover Media satellite navigation system builds on the strengths of the Composition Media DAB+ radio system by adding satellite navigation and a second integrated SD card slot compatible for map data. The system includes free updates for the pre-installed European maps through Volkswagen MapCare. The Discover Media satellite navigation system is standard on Highline and optional on all other models. App-Connect is available as an option for this system.



## 04 App-Connect.

Available as an option with the Composition Media DAB+ radio system or Discover Media navigation system. App-Connect allows you to operate special apps. The screen of your smartphone can be mirrored on the radio system's display.





# Optional Extras.

# Startline

Optional Extra Description	PR Code
15" Caloundra alloy wheels 6J x 15	ZC8
Seat Trims "ArtVelours" Microfleece (Seat Package)	Z4U
Seat Trims "Mesh" Leatherette	N2Q
Height adjustment for driver and front passenger seats with under seat storage	ZH4
Height adjustment for driver and single passenger seats (manual)	3L3
Manually adjustable lumbar support for right front seat	7P6
16" Bendigo alloy wheels 6Jx16	ZRD
16" Fortaleza alloy wheels 6Jx16	ZC6
17" Canyon alloy wheels(Anthracite)	ZC7
17" Canyon alloy wheels(Black)	ZC3
17" Rockhampton alloy wheels	ZC9
Discover Media Navigation system	Z49
Voice control	QH1
App-Connect	9WT
Mirror Link and wireless RSE "App"	9WX
Drawers under front seats	QN3
Height adjustment for driver and front passenger seats with under seat storage	ZH4
Storage compartment under driver and passenger front seats	QN4
Bi-Xenon headlamps with separate LED daytime running lights	PL8
Integrated front fog lamps	8WD
Cruise control system and speed limiter	8T6
Driver alert (drowsiness detection) with multi function plus	ZAH
Front Assist including city emergency braking system without Adaptive Cruise Control (ACC)	6K2
Multi-function display "Premium"	ZAL
Rear parking sensors	7X1
Rear parking sensors with rear view camera	7X7
Rear view camera system	7X9

Optional Extra Description	PR Code
Body coloured bumpers, mirrors & side mouldings	ZA8
Towbar - fixed	1D1
Towbar preparation	1D7
Manual side sliding door driver side	5R2
Carpet flooring in cab	5AD
Climatic air conditioning with cooled glove compartment	ZK2
Alarm - with passenger compartment control,back-up horn and towing protection	ZQ7
First aid kit with warning triangle	1T3
First aid kit with warning triangle and safety vest	1T9
Interior light concept in passenger compartment	9CK
LED interior lights in passenger/load compartment	9CL
Bulkhead high with plastic grill in upper part	ZT2
Without partition	3CA
Heated rear window and wash wiper	ZE6
Rear wing door with window aperture	3RE
Tailgate with window aperture	3RC
Tailgate without window	3RB
Roof trim in cab as comfort molded headliner, in load/passenger compartment with hardboard	5CL
Smokers package: 12-V outlet with cigarette lighter, ashtray, and 2 beverage holders in dashboard	9JC
12-volt socket(s)	7B6
Leather Multi-function steering wheel	PM3

**Please note:** Optional Availability is subject to change. Additional options may be fored when particular combinations are selected. The above is used solely as a guideline. Please contact you local Volkswagen Commercial authorised dealership for pricing and produced information.

## Optional Extras.

# Trendline

Optional Extra Description	PR Code
15" Caloundra alloy wheels 6J x 15	ZC8
Seat Trims "Mesh" Leatherette	N2Q
Height adjustment for driver and front passenger seats with under seat storage	ZH4
16" Bendigo alloy wheels 6Jx16	ZRD
16" Fortaleza alloy wheels 6Jx16	ZC6
17" Canyon alloy wheels(Anthracite)	ZC7
17" Canyon alloy wheels(Black)	ZC3
17" Rockhampton alloy wheels	ZC9
Composition Media Radio with 6.33" touch screen	Z45
Discover Media Navigation system	Z49
Voice control	QH1
App-Connect	9WT
Mirror Link and wireless RSE "App"	9WX
Drawers under front seats	QN3
Height adjustment for driver and front passenger seats with under seat storage	ZH4
Bi-Xenon headlamps with separate LED daytime running lights	PL8
Integrated front fog lamps	8WD
Front Assist including city emergency braking system without Adaptive Cruise Control (ACC)	6K2
Multi-function display "Premium"	ZAL
Rear parking sensors with rear view camera	7X7
Rear view camera system	7X9
Towbar - fixed	1D1
Towbar preparation	1D7
Manual side sliding door driver side	5R2
Carpet flooring in cab	5AD

Optional Extra Description	PR Code
Rubber floor covering in passenger/load compartment	5BC
Climatic air conditioning with cooled glove compartment	ZK2
Alarm - with passenger compartment control,back-up horn and towing protection	ZQ7
First aid kit with warning triangle	1T3
First aid kit with warning triangle and safety vest	1T9
Interior light concept in passenger compartment	9CK
LED interior lights in passenger/load compartment	9CL
Bulkhead high with plastic grill in upper part	ZT2
Without partition	3CA
Heated rear window and wash wiper	ZE6
Rear wing door with window aperture	3RE
Tailgate with window aperture	3RC
Tailgate without window	3RB
Roof trim in cab as comfort molded headliner, in load/passenger compartment with hardboard	5CL
Smokers package: 12-V outlet with cigarette lighter, ashtray, and 2 beverage holders in dashboard	9JC
12-volt socket(s)	7B6
Leather Multi-function steering wheel	PM3

**Please note:** Optional Availability is subject to change. Additional options may be fored when particular combinations are selected. The above is used solely as a guideline. Please contact you local Volkswagen Commercial authorised dealership for pricing and producted information.



## Optional Extras.

# Highline

Optional Extra Description	PR Code
Seat Trims "Mesh" Leatherette	N2Q
Height adjustment for driver and front passenger seats with under seat storage	ZH4
16" Bendigo alloy wheels 6Jx16	ZRD
16" Fortaleza alloy wheels 6Jx16	ZC6
17" Canyon alloy wheels(Black)	ZC3
17" Rockhampton alloy wheels	ZC9
Discover Media Navigation system	Z49
Voice control	QH1
App-Connect	9WT
Mirror Link and wireless RSE "App"	9WX
Drawers under front seats	QN3
Height adjustment for driver and front passenger seats with under seat storage	ZH4
Bi-Xenon headlamps with separate LED daytime running lights	PL8
Front Assist including city emergency braking system without Adaptive Cruise Control (ACC)	6K2
High Beam Assist	8G1
Multi-function display "Premium"	ZAL
Rear parking sensors with rear view camera	7X7
Towbar - fixed	1D1
Towbar preparation	1D7
Manual side sliding door driver side	5R2
Carpet flooring in cab	5AD
Rubber floor covering in passenger/load compartment	5BC
Alarm - with passenger compartment control,back-up horn and towing protection	ZQ7
First aid kit with warning triangle	1T3
First aid kit with warning triangle and safety vest	1T9

Optional Extra Description	PR Code
Interior light concept in passenger compartment	9CK
LED interior lights in passenger/load compartment	9CL
Bulkhead high with plastic grill in upper part	ZT2
Without partition	3CA
Heated rear window and wash wiper	ZE6
Tailgate with window aperture	3RC
Tailgate without window	3RB
Roof trim in cab as comfort molded headliner, in load/passenger compartment with hardboard	5CL
Smokers package: 12-V outlet with cigarette lighter, ashtray, and 2 beverage holders in dashboard	9JC
12-volt socket(s)	7B6

**Please note:** Optional Availability is subject to change. Additional options may be fored when particular combinations are selected. The above is used solely as a guideline. Please contact you local Volkswagen Commercial authorised dealership for pricing and produced information.

## Engine and Gearbox Data.

Engine specifications.	2.0TDI 102PS	2.0TDI 150PS
Engine type	Diesel, transverse, water-cooled, in-line, variable turbine geometry turbocharger with intercooler	Diesel, transverse, water-cooled, in-line, variable turbine geometry turbocharger with intercooler
Mixture preparation/injection method	Common-rail, direct injection	Common-rail, direct injection
EU exhaust emission standard	EURO 6D Temp	EURO 6D Temp
Number of cylinders	4	4
Cubic capacity	1,968cc	1,968cc
Output, PS at rpm	102 at 2,900-4,000	150 at 3,500-4,000
Torque, max. Nm at rpm	250 at 1,300-2,800	340 at 1,750-3,000
Fuel tank capacity	60 litre	60 litre
AdBlue® capacity	9 litre	9 litre
Diesel Particulate Filter [DPF]	●	●
5-speed manual gearbox	●	-
6-speed manual gearbox	-	-
6-speed dual clutch gearbox [DSG]	○	●
Front-wheel drive	●	●
Alternator	110A	110A
Battery	61Ah (330A)	61Ah (330A)

● Standard ○ Available - Not available

## Diesel fuel consumption, performance and emissions.

Engine/transmission	CO <sub>2</sub> emissions, g/km <sup>1</sup>		Combined fuel consumption mpg <sup>1</sup>		Combined fuel consumption (ltr/100km) <sup>1</sup>		Acceleration, seconds 0 - 62mph	Top speed, mph, (where law permits)
	Max.	Min.	Max.	Min.	Max.	Min.		
<b>C20 Caddy.</b>								
2.0TDI 102PS 5-speed manual	143	141	46.3	49.6	6.1	5.7	12.0	107
2.0TDI 102PS 6-speed DSG	141	137	44.1	47.1	6.4	6.0	12.1	106
2.0TDI 150PS 6-speed DSG	146	139	42.8	45.6	6.6	6.2	9.4	119
<b>C20+ Caddy.</b>								
2.0TDI 102PS 5-speed manual	143	139	46.3	48.7	6.1	5.8	16.6	107
<b>C20 Caddy Maxi.</b>								
2.0TDI 102PS 5-speed manual	146	141	44.8	47.9	6.3	5.9	12.5	107
2.0TDI 102PS 6-speed DSG	141	139	42.8	45.6	6.6	6.2	12.6	106
2.0TDI 150PS 6-speed DSG	146	142	41.5	44.1	6.8	6.4	9.4	119



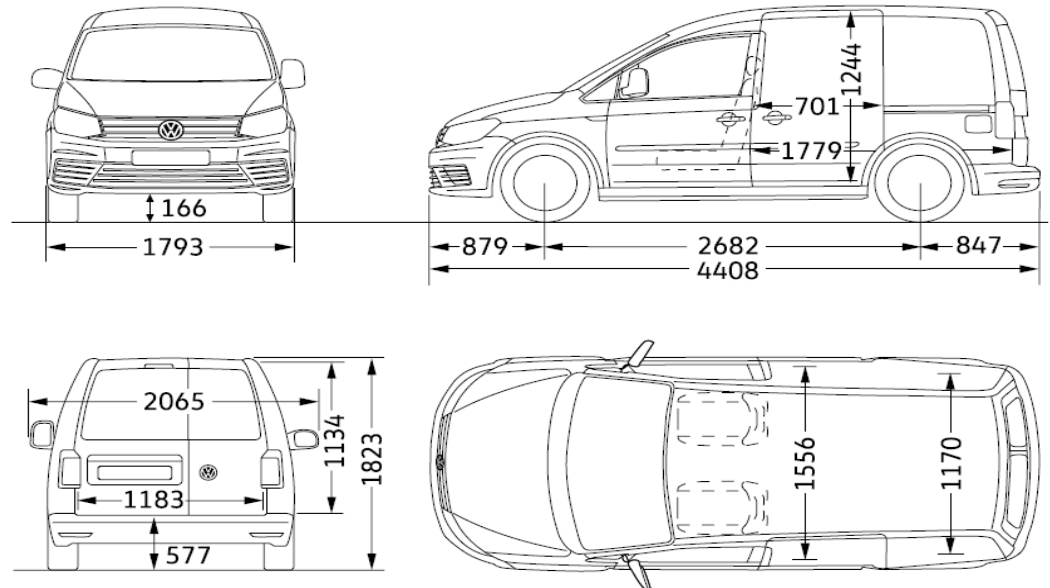
# Weights.

Engine/transmission	Gross vehicle weight <sup>1</sup> , kg	Axle load limit, front/rear, kg	Trailer weight braked 12%/unbraked, kg	Gross train weight, kg	Unladen weight <sup>2</sup> , kg	Payload <sup>3</sup> , kg	Unladen weight <sup>2</sup> , kg	Payload <sup>3</sup> , kg	Unladen weight <sup>2</sup> , kg	Payload <sup>3</sup> , kg
<b>C20 Caddy.</b>					<b>Startline.</b>		<b>Trendline.</b>		<b>Highline.</b>	
2.0TDI 102PS 5-speed manual	2,161	1,075 / 1,230	1,500 / 690	3,650	1,491	670	1,509	652	1,514	647
2.0TDI 102PS 6-speed DSG	2,197	1,100 / 1,230	1,500 / 710	3,697	1,527	670	1,545	652	1,550	647
2.0TDI 150PS 6-speed DSG	2,201	1,100 / 1,230	1,500 / 710	3,701	-	-	-	-	1,554	647
<b>C20+ Caddy.</b>					<b>Startline.</b>					
2.0TDI 102PS 5-speed manual	2,231	1,075 / 1,250	1,500 / 690	3,650	1,493	738				
<b>C20 Caddy Maxi.</b>					<b>Startline.</b>		<b>Trendline.</b>		<b>Highline.</b>	
2.0TDI 102PS 5-speed manual	2,319	1,150 / 1,300	1,500 / 740	3,650	1,582	737	1,600	719	1,605	714
2.0TDI 102PS 6-speed DSG	2,346	1,175 / 1,300	1,500 / 750	3,800	1,618	728	-	-	1,641	705
2.0TDI 150PS 6-speed DSG	2,353	1,150 / 1,300	1,500 / 750	3,800	-	-	-	-	1,648	705

# Dimensions.

## Caddy panel van.

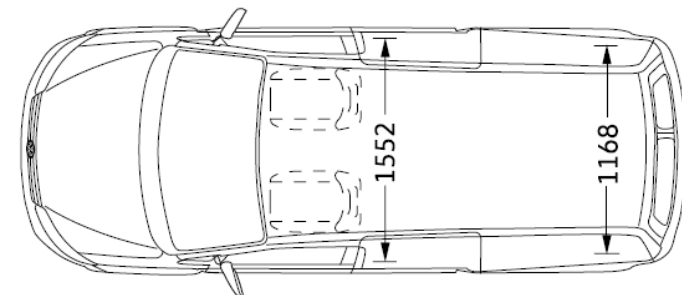
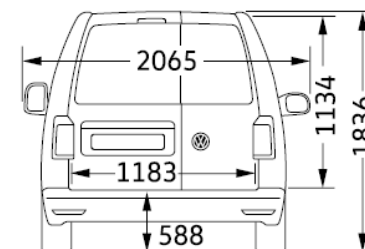
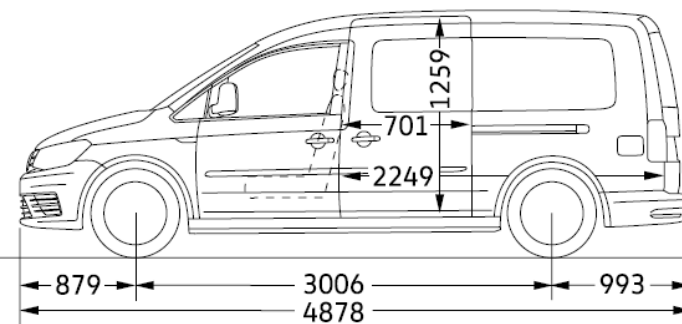
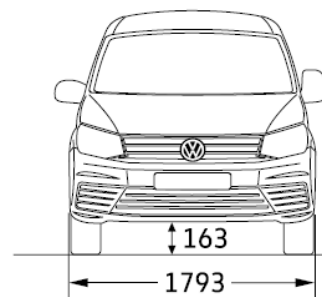
Wheelbase		2,682
Load compartment	length	1,779
	width	1,556
	width between wheel arches	1,170
	height	1,244
	load volume	3.2m <sup>3</sup>
Side sliding door	width	701
	height	1,097
Rear wing doors	width	1,183
	height	1,134
Turning circle (wall to wall)		11.1m



## Dimensions continued.

### Caddy Maxi panel van.

Wheelbase		3,006
Load compartment	length	2,249
	width	1,552
	width between wheel arches	1,168
	height	1,259
	load volume	4.2m <sup>3</sup>
Side sliding door	width	701
	height	1,097
Rear wing doors	width	1,183
	height	1,134
Turning circle (wall to wall)		12.2m



Please note: Vehicle drawings are not to scale. All dimensions in millimetres (mm), unless otherwise stated. The height measurements listed may vary by  $\pm 50$ mm depending on model and equipment fitted.



# The Caddy - Price List.

## Panel Van

Trimline	Model Code	Engine / Transmission	RRP (ex VAT)	VRT	VAT	RRP (incl VAT)	ROTR* (Incl Delviey)
Startline	SAAA22A	2.0 TDI 102hp 5-speed manual	€15,682.93	€ 200.00	€ 3,607.07	€ 19,490.00	€20,265.00
	SAAA26A	2.0 TDI 102hp 6-speed DSG*	€19,109.76	€ 200.00	€ 4,395.24	€ 23,705.00	€24,480.00
Trendline	SAAA22AT	2.0 TDI 102hp 5-speed manual	€16,691.67	€ 200.00	€ 3,838.94	€ 20,730.00	€ 21,505.00
	SAAA26AT	2.0 TDI 102hp 6-speed DSG*	€19,979.67	€ 200.00	€ 4,595.33	€ 24,775.00	€ 25,550.00
Highline	SAAA22AH	2.0 TDI 102hp 5-speed manual	€18,178.86	€ 200.00	€ 4,181.14	€ 22,560.00	€ 23,335.00
	SAAA46AH	2.0 TDI 150hp 6-speed DSG*	€23,235.77	€ 200.00	€ 5,344.23	€ 28,780.00	€ 29,555.00

## Panel Van Maxi

Trimline	Model Code	Engine / Transmission	RRP (ex VAT)	VRT	VAT	RRP (incl VAT)	ROTR* (Incl Delviey)
Startline	SAHA22A	2.0 TDI 102hp 5-speed manual	€17,020.33	€ 200.00	€ 3,914.67	€ 21,135.00	€ 21,910.00
Trendline	SAHA22AT	2.0 TDI 102hp 5-speed manual	€18,052.85	€ 200.00	€ 4,152.15	€ 22,405.00	€ 23,180.00
Highline	SAHA22AH	2.0 TDI 102hp 5-speed manual	€19,475.61	€ 200.00	€ 4,479.39	€ 24,155.00	€ 24,930.00

# Accessories.



## Front Mud Flaps.

Long-lasting and durable: the Volkswagen Genuine mud flaps effectively protect the underbody, side rails and doors against excessive dirt. They also enormously reduce the impact of dangerous road chippings and water spray.

**€54.97** Part Number SWB 2K5075101A



## Rear Mud Flaps.

Long-lasting and durable: The Volkswagen Original mud flaps effectively protect the underbody and bumpers against excessive dirt. Moreover, the danger from road chippings and spray is reduced enormously.

**€65.40** Part Number 2K0075101A



## Glass Protective Grille.

The protective grille made of metal for the window in the rear doors. The protective grille that is screwed together with the door frame protect against damage during transporting and when loading and unloading. The grille makes it difficult to break the window open.

**€239.54** Part Number 2K3 017 200



## Genuine Roof Bars x2.

Well equipped underway - thanks to the Volkswagen roof bar system. The basis is the Volkswagen Original roof bars, to which, for example, ski and snowboard holder, cycle carrier, surfboard holder or the practical roof box can be attached.

**€329.04** Part Number 2K0071126



## Door Window Deflector.

The door wind deflector for the front side vehicle doors enables optimal ventilation of the vehicle interior, thus contributing to your driving comfort. It improves the interior climate and allows you to enjoy circulating fresh air even when it is raining or snowing.

**€80.41** Part Number 2K0072193B



## Floor Mats.

The high-quality all-weather footmats are tailored to the contours of the interior. They are hard-wearing, long-lasting and have a non-slip underside. Dirt and moisture can be removed simply.

**€35.97** Part Number 2K0061512 82V



## Caddy Boot Liner.

Flexible and shaped-to-fit cargo space inlay. The 5 cm peripheral edge is decorated with embossed lettering. The cargo space inlay can be rolled up if necessary.

**€65.30** Part Number 2K0061160



## Luggage Rack.

Just use the roof of your vehicle as an additional loading area: The luggage rack is robust and enables the roof area to be used for transporting bulky goods in an uncomplicated way.

Furthermore, it has adequate lashing possibilities and can be loaded with 67 kg. For vehicles with rear doors!

**€477.93** Part Number 2K3 071 254



Rhino are Europe's leading van accessory manufacturer, supplying an innovative range of Roof Racks, Roof Bars, Steps, Ladder Restraints & more for the commercial vehicle market.

Their products are made in the UK to the highest of standards, ensuring the utmost in performance, durability and aesthetics.

## AluminiumRack | Roof Rack

Not enough space in the back of the van? In need of making the perfect use of all of the space you have available on your vehicle? Our "Next Generation" AluminiumRack is the answer to your equipment transportation needs.

- Manufactured From Anodised Aluminium Alloy
- Aerodynamic Crosstubes Reduce Wind Noise & Drag
- Supplied Complete With A Full Width Stainless Steel Roller
- Anti-Rattle Connectors & Aerodynamic End Caps
- Quick & Easy Assembly
- Available To Fit To The Majority Of Today's Commercial Vehicles
- Fits To Vehicles Via The Manufacturers Mounting Points (No Drilling Required)
- TUV Rheinland Certified – 20g Crash Tested



## PipeTube

The PipeTube incorporates strength, style and security to provide the best method of transporting copper pipe, conduit or similarly lengthy materials.

Innovative design and high specification materials have ensured the PipeTube has passed a rigorous testing process.

The PipeTube design enables the transportation of up to 50 x 15mm copper tubes or similar materials.

The Side Mounted PipeTube is only available for modular roof racks in combination with a 3 metre PipeTube.



KammBar® is the latest evolution in roof bar design, and can be fitted to all of Europe's leading commercial vehicles.

Developed using the latest technologies in design and manufacturing, and inspired by the work of Professor Wunibald Kamm Rhino has produced one of the most aerodynamic bar profiles to date. The advanced aerodynamics don't stop with the bar design, as Rhino have also developed a new shaped load stop to work in conjunction with the KammBar®. Two pairs of load stops are supplied with the KammBar® systems.

Each cross tube can carry a weight of up to 75kg which means (in most cases) they are actually stronger than the roof of your van. This means they won't leave you wanting for any other type of roof bar system.



## SafeClamp®

SafeClamp® incorporates strength, speed and style to provide a revolutionary ladder clamping system.

SafeClamp® uses a composite beam structure and stainless steel anchor hook which offers high strength whilst providing excellent corrosion resistance.

The innovative one touch clamping method (patent pending) ensures that the operation is 5 times faster than traditional screw-down ladder clamps.

Supplied complete with key locks, 2 keys supplied (see adjacent image).



## KammBar® Rear Roller System

To complement the KammBar® system Rhino Products have introduced a Rear Roller System to fit to the bars to aid loading and unloading whilst protecting the rear of the vehicle.

The KammBar® rear roller system retains the same virtues as the KammBar® of both strength and modern styling combined, with features such as adjustable supports to allow for the optimum position of the stainless steel roller.



## Modular Rack

The Modular Rack is a fully welded, heavy duty system that allows quick and easy installation using bolted together modular sections.

The rack includes an aerofoil that significantly reduces overall wind noise and drag as well as a full width roller system that aids loading and unloading.

All racks enable the transportation of 8' x 4' boards.





# THE VARIABLE VEHICLE EQUIPMENT

## MADE OF ALUMINUM, STEEL AND PLASTIC FOR MAXIMUM INDIVIDUALITY WITH LOW WEIGHT!

The variable vehicle equipment can be adapted right down to the smallest detail to your working procedures and the stored items. This makes optimum use of the limited space on the vehicle.

This maximum flexibility is achieved with five standard widths, three depths and 30mm height units. The intelligent material mix of aluminum, steel and plastic also saves on weight, which helps to keep fuel costs down. In addition to the variable vehicle equipment, we also offer you modular vehicle equipment for industries with especially heavy loads. Our consultants will be happy to provide you with detailed information on this subject.



The workbench always travels along: It takes up hardly any room in the vehicle itself, and at the place of use it can be pulled out as required with a few quick hand movements and secured with the quick-action retainer.



Quick opening across the entire width: The functional drawer handle enables any drawer to be opened any closed anywhere – without the need to fumble around with small, inconvenient handles.



The practical hinged flaps of the shelves are opened with a handle. Like the covers and the drawer handles, they are made of high-quality anodized aluminum.



Safe storage and organization: Many inserts and orderly sorting systems, along with the patented locking system for the drawers, make sure that your goods remain where they are supposed to be during transport.

### System Block 18

- 1 subassembly with panel
- 1 storage shelf with separating plates and anti-slip mat
- 1 storage shelf with 5 storage boxes (Size 2)
- 1 upper frame element with separating plate and anti-slip mat
- 1 attachment set
- With cutting for wheelbase
- Dimensions (W x H x D): 1,112 x 930 x 380 mm

Total weight: 32,5 kg

Art. No. 0963 60 818



### System Block 19

- 1 open subassembly
- 2 storage shelves with separating plates and anti-slip mats
- 1 attachment set
- With cutting for wheelbase
- Dimensions (W x H x D): 834 x 865 x 380 mm

Total weight: 21 kg

Art. No. 0963 60 819



# VWFS Service Plans.

Fixed Service Schedule	Longlife Service Schedule	Longlife Service Schedule
3 Services	2 Services	3 Services

Plans contain the following components (per the recommended schedule):

✓ Pollen Filter Replacement	✓ Brake Fluid Change
✓ Air Filter Replacement	✓ Haldex Oil
✓ Spark Plugs/Fuel Filter Replacement	✓ Gear Oil

		Fixed Service Schedule	Longlife Service Schedule	Longlife Service Schedule
		3 Services	2 Services	3 Services
<b>Caddy</b>	Upfront	€683.65	€551.76	€827.64
	Monthly*	€18.99	€22.99	€22.99

# The Caddy Panel Van

This brochure supersedes all previous publications.

Issue: 1 April 2020

[www.volkswagenvans.ie](http://www.volkswagenvans.ie)

Please note: Screen technology does not allow exact reproduction of the paint and upholstery colours. Some of the vehicles shown are European specification and may be fitted with optional equipment or accessories that are available at extra cost, or do not reflect current specification. All data and specifications are in accordance with information available at the time of publication and are subject to change without notice. Vehicles not currently in Irish stock and customer order vehicles may take a number of weeks for delivery. Certain combinations of vehicle specifications and factory-fitted options are not compatible and therefore all orders received are subject to confirmation. Models, factory fitted-options and paint and upholstery options are subject to availability. Please check details and availability with an authorised Volkswagen Van Centre at the time of ordering.