



Commercial
Vehicles

The Caddy Brochure

Choose your trimline.

Life equipment.

Interior

- Removable waste bin with cover, for cab
- Vents in front with chrome bezels
- Acoustics package Extra for cab and passenger compartment
- Air conditioning system
- Folding table on the back of the seats in the 1st row of seats
- Backrest release for left front seat
- Front center armrest, height- and longitudinally adjustable w/ 2 beverage holders in front and 2 vents in rear
- Drawers under front seats
- Seat trims in fabric "Trialog"

Assistance Systems

- Swerve support and oncoming vehicle braking when turning
- Auto. Emergency Braking Front Assist with Pedestrian and Cyclist Monitoring
- Park Distance Control in rear
- Automatic headlight control with separate daytime running light
- Cruise control system incl. speed limiter
- Driver alert system
- eCall Emergency System
- Lane keeping system Lane Assist

Safety

- Driver and front passenger airbags with front passenger airbag deactivation
- Immobilizer (electronic)
- Electrical child safety lock for the sliding doors
- Servotronic (speed-sensitive power steering)
- Headlight range control
- Multi-function display Plus
- Tire Pressure Monitoring System (EU)
- Tire Mobility Set
- 3-point seat belts in front with seat belt height adjustment and electric seat belt pretensioners
- Side and curtain airbag for driver and front pass., curtain airbag for outer seats in rear
- Warning signal and warning light for seat belts
- Seat belts in passenger compartment with seat belt pretensioners
- 2 remote control folding keys
- Start-stop system with regenerative braking
- Central locking system with radio remote control
- First aid kit, warning triangle and 1 safety vest
- Child seat anchors (i-Size)

Exterior

- Exterior mirrors, power-adjustable, heated and power-folding
- Black roof rails
- 4 alloy wheels "Vienna" 6.5J x 16, Brilliant Silver



Caddy Price List

Model	Description	Trimline	VRT	VAT	NOx	RRP (incl. VAT)	ROTR (incl Delivery)
SBJK24	2.0 TDI 102HP M6F	Life	€ 11,597.03	€ 7,434.48	€ 187.00	€ 51,540.00	€ 52,640.00
SBJK55	2.0 TDI 122HP A7F	Life	€ 12,371.68	€ 7,947.82	€ 110.00	€ 54,985.00	€ 56,085.00

Paintwork and Wheels

The exterior paintwork

Solid

Metallic

Pearl Effect



Candy White



Copper Bronze Metallic



Indium Grey



Deep Black Pearl



Cherry Red



Costa Azul Metallic



Mojave Beige Metallic



Pure Grey



Golden Green Metallic



Reflex Silver Metallic



Fortana Red Metallic



Starlight Blue Metallic

Range of wheels



16" 'Vienna'

Standard

6.5J x 16, Silver

Tyres 205/16 R16 96H XL



17" 'Barahona'

Optional

6.5J x 17, Silver

Tyres 215/55 R17 98H XL



17" 'Colombo'

Optional

6.5J x 17, Dark Graphite

Tyres 215/55 R17 98H XL



17" 'Colombo'

Optional

6.5J x 17, Gloss Black

Tyres 215/55 R17 98H XL

Range of interior trims



"Trialog" fabric
Standard

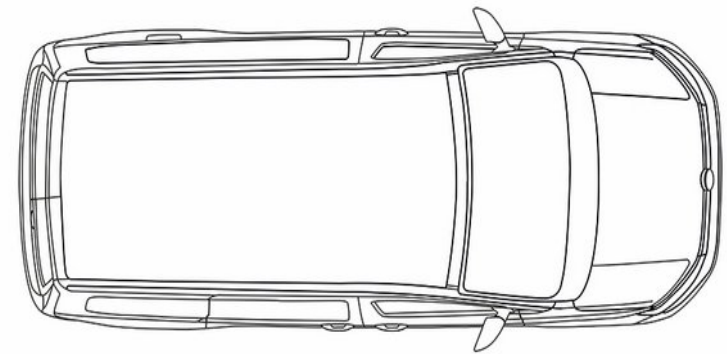
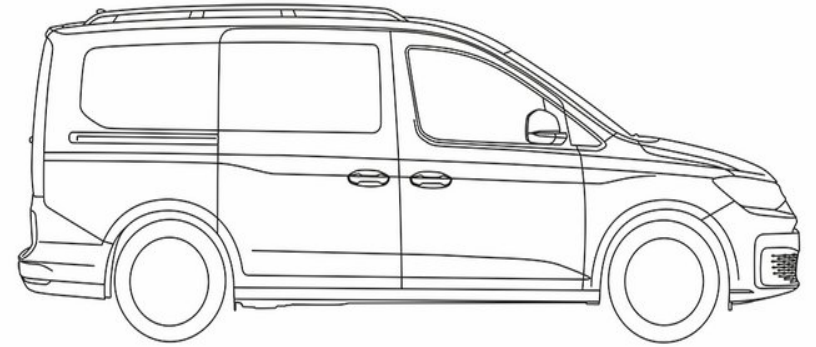


"Pure Diamond" leatherette
Optional

Technical information

Dimensions

Dimensions	Caddy 5 Maxi Panel Van
Length (mm)	4,853
Width (mm)	2,100
Height (mm)	1,818
Wheelbase (mm)	2,970
Towing Capacity (kg)	1,500
Roof Load (kg)	100
Load compartment length (mm)	2,150
Load compartment width (mm)	1,613
width between wheel arches (mm)	1,230
Max. height of load compartment (mm)	1,274
Sliding door width (mm)	845
Sliding door height (mm)	1,095



Some of the vehicles shown are equipped with special equipment at extra cost. The decorations shown in the images are not included in the standard scope of delivery contain. The information about scope of delivery, appearance, technical data and operating costs of the vehicles correspond to the knowledge available at the time of going to press. All Information regarding equipment and technical data are based on the characteristics of the Irish market.

Please note that some of the images, sketches or symbolic images shown are due to technical changes or the technical status at the time of Recordings of the actual appearance and / or the circumstances may differ.

Please also note that some optional extras are subject to certain combination constraints and / or cannot be combined with one another and to certain legal regulations are bound. Volkswagen is expressly not liable for improper use of this equipment.

Some optional extras can lead to a longer delivery time for the vehicle. For the correctness and completeness of the information and the necessary combination requirements are exclusive the available ordering systems from Volkswagen are decisive.

When making changes to the base vehicle, it is essential to observe all applicable statutory vehicle regulations and guidelines (underride protection, lighting equipment, etc.) as well as other relevant regulations z. B. in the environmental sector and vehicle safety.

Equipment can influence the payload or the payload by increasing / reducing the curb weight. The actual Payload of a vehicle resulting from the difference between permissible total weight and curb weight calculated can only be determined by weighing an individual vehicle.

TSI®, TDI®, TGI®, DSG® and 4MOTION® are registered trademarks of Volkswagen AG and other companies in the Volkswagen Group in Germany and in other countries. The fact that a trademark in this document is not marked with ® cannot be interpreted in such a way that this trademark is not a registered trademark and / or that this trademark is without prior written approval of Volkswagen Aktiengesellschaft could be used. The Bluetooth® word mark and logos are owned by the Bluetooth SIG Inc.

Volkswagen AG is not permitted to save any data or to copy all or part of the documents. Volkswagen AG reserves the right in the event of an injury claims for damages in front.

We reserve the right to make changes without notice.

Additional equipment and accessories (attachments, tires, etc.) can be relevant vehicle parameters, such as B. Weight, rolling resistance and aerodynamics, change and in addition to weather and traffic conditions affect consumption and mileage.

The Caddy

This brochure supersedes all previous publications.

Issue: 01 December 2024

www.volkswagenvans.ie

Please note: Screen technology does not allow exact reproduction of the paint and upholstery colours. Some of the vehicles shown are European specification and may be fitted with optional equipment or accessories that are available at extra cost, or do not reflect current specification. All data and specifications are in accordance with information available at the time of publication and are subject to change without notice. Vehicles not currently in Irish stock and customer order vehicles may take a number of weeks for delivery. Certain combinations of vehicle specifications and factory-fitted options are not compatible and therefore all orders received are subject to confirmation. Models, factory fitted-options and paint and upholstery options are subject to availability. Please check details and availability with an authorised Volkswagen Van Centre at the time of ordering.