



The Caddy

Brochure



Commercial
Vehicles

Volkswagen Commercial Vehicles' Van Centres. **Working with you.**

It's more than a van to you.

You're more than a customer to us.

We know that when you choose Volkswagen Commercial Vehicles, you're looking for more than just four walls on four wheels. You want a van that looks after itself while you take care of business. A vehicle that makes a statement, as well as a delivery. An investment for the future that makes a difference today.

To us, you're a partner.

By being there to get to know how you work and what you need, we can offer you more – supporting your plans year after year. It means a partnership that lasts as long as your ownership, with a vehicle and a team that's with you for the journey.

Our dedicated network of Van Centres.

Over **20 Dealerships** and **41 Authorised Repairers** means you're only around 45 minutes on average from our door.



Everything for the job... ...and the journey.

The right van.

We're commercial vehicle experts and finding the right van for your business is what makes us tick. We'll guide you through the range, take you on a test drive and cover all the options.

The right accessories.

From mudflaps to sat navs, plying to roof racks, we'll work with you to create the perfect van – keeping everything 100% Volkswagen to aid high residuals.

The right finance.

Every business is different, so we stay flexible, with a range of finance packages to choose from. Depending on your preference, we'll go through the options to find the one that suits you best.

The right support.

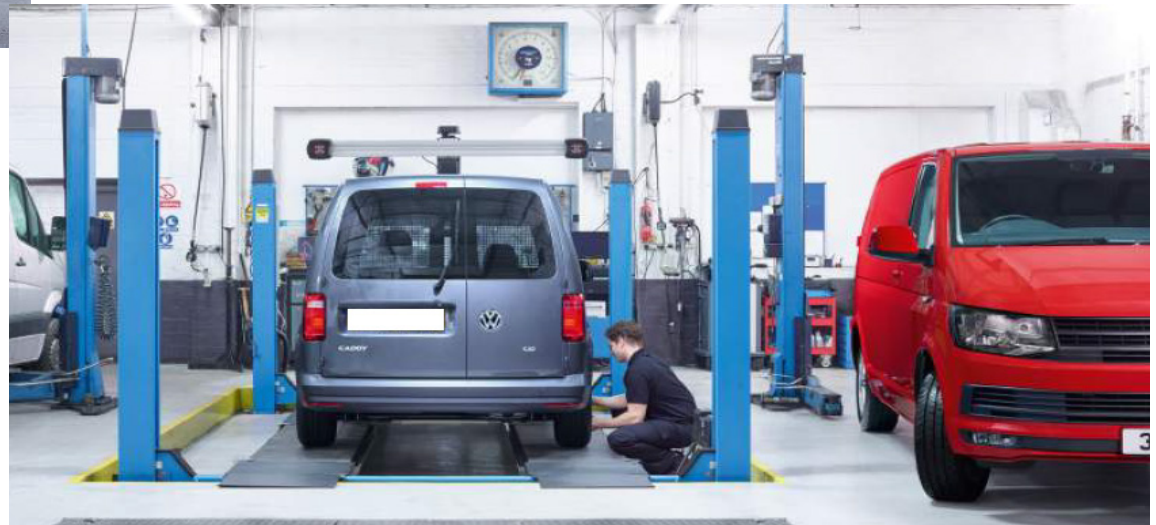
Nothing matters more than keeping you mobile, so our servicing options are built around you. You'll also enjoy three-years' free Roadside Assistance with your new van.

The right service.

We understand it's the little things that make the difference, so we set high standards. We'll call you when we say, keep you informed on delivery dates and support you long after purchase.

And there's more...

We offer a lot more than you might think. From cost-effective van rental or an air conditioning recharge, to a wide selection of premium and budget replacement tyres, if we're not able to help, we'll try and point you in the right direction!





Bold. Sharp. Dynamic.

Design.

The Caddy exudes the highest levels of competence and dependability. It's focused in every way – no more so than through its dynamic exterior styling. While the front delivers a bold stance, the rear features sharp design and elegantly sculptured rear light clusters. Additional highlights include a chrome strip on the radiator grille, stylish side indicators and a range of attractive alloy wheels.



Quality. Function. Convenience.

Interior.

The Caddy has a car-like dashboard with a super high-quality finish. To assist your working day you'll discover plenty of ingenious storage solutions, ergonomic seating and a broad selection of radio and infotainment systems – including DAB+ radio and Bluetooth® as standard. With front seat occupants benefitting from electrically heated and adjustable wing mirrors, electric windows, front and curtain airbags as standard, it's a safe and convenient place to spend your working day. Add these ingredients together and the Caddy's interior moves comfort and style to a whole new level.



Standard overhead Storage Compartment

Radio and Infotainment

Radio and navigation.

The latest-generation devices are available, including the standard Composition Colour touch-screen DAB+ radio system, optional Composition Media DAB+ radio system, as well as the Discover Media navigation system which is standard on Highline and optional on all other models.

App-Connect.

Available as an option, App-Connect allows you to operate special apps. The screen of your smartphone can be shown on the radio system's display.

Connectivity package.

Available as an option, external media devices, such as MP3 players, can be connected via the USB port. Additionally, the standard mobile phone interface offers a Bluetooth® hands-free speaking system.



Your safety is our priority.

Safety systems.

Your safety is vital, so we ensure that a long list of safety and security features are built into every vehicle we produce. Since we first introduced structural safety features on commercial vehicles over 35 years ago, Volkswagen has maintained a policy of continuous safety development. Every Volkswagen model incorporates a range of both active and passive safety features, to help ensure the safety and security of both you and your load.

With the vehicle's design contributing to safety, occupants are securely enclosed within a rigid safety cell with crumple zones to absorb crash energy, while the chassis and suspension are designed for excellent directional stability and handling. Features such as Anti-lock Braking System (ABS), Electronic Brakeforce Distribution (EBD), Electronic Stabilisation Programme (ESP), driver and passenger front and curtain airbags, electric seatbelt tensioners and Automatic Post-Collision Braking System are fitted as standard.

For additional security and protection, an electronic immobiliser and remote central locking with dead locking and internal locking button are standard, while optional features such as anti-theft devices, front and rear parking sensors, Bi-xenon headlights, automatic rain-sensing wipers and front fog lights with integrated cornering lights all offer additional peace-of-mind.



Automatic Post-Collision Braking System.

Standard on all Caddy models, it triggers braking after a collision, with the aim of preventing secondary collisions.



Electronic Stabilisation Programme (ESP).

Designed to prevent the vehicle from swerving in critical driving conditions by controlled and targeted intervention in the brake and engine management. This helps to maximise directional stability.



Anti-lock Braking System (ABS).

Designed to prevent wheels from locking up and assist manoeuvrability of the vehicle under heavy braking.



Traction Control System (TCS).

Aids smooth starts and acceleration by reducing wheel-spin. The system also incorporates the Electronic Differential Lock (EDL) and makes up part of the Electronic Stabilisation Programme (ESP).



Electronic Differential Lock (EDL).

Allows smooth starts on slippery or loose road surfaces. If one wheel starts to spin, EDL is designed to brake the wheel as necessary, directing power to the wheel with greater traction.



Airbags.

Driver and passenger front and curtain airbags are standard. They offer occupants improved protection in the event of head-on or side impacts.



Seatbelt warning.

The seatbelt warning reminds the driver that their seatbelt is not fastened. Audio and visual signals are used to request that the seatbelt is fastened before driving.

Innovative. Intelligent. Intuitive.

Driver assistance systems.

To help ensure every journey ends as stress-free as it begins, the Caddy is equipped with a number of systems – all of which are activated in critical situations as a preventative measure. Add to this a variety of innovative driver assistance systems and you'll discover the Caddy offers high levels of safety and peace-of-mind.



Parking Aid Standard on Trendline and Highline models



Optional Rear-view camera system



Cruise control including speed limiter.

Available as an option, cruise control maintains the selected speed, or limits the top speed, to a value set by the driver.



Driver Alert System.

Available as an option, the Driver Alert System registers deviation from normal steering patterns and uses visual and acoustic warnings to recommend that the driver takes a break.



Brake Assist.

Fitted as standard, the system registers the speed at which the brake pedal is pressed. During emergency braking, it helps ensure full brake pressure is applied more quickly.



Daytime running lights.

Fitted as standard, daytime running lights offer increased visibility. For extra driver convenience, the dipped beam headlights are automatically switched on when you start your vehicle.



Hill Hold Assist.

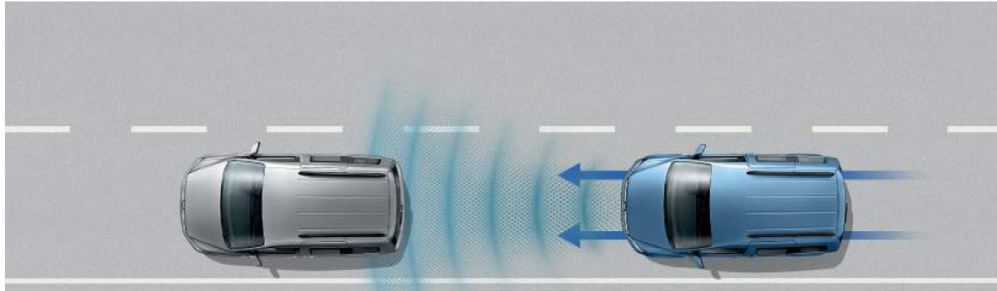
Fitted as standard, the convenient Hill Hold Assist helps to prevent your vehicle from rolling back when pulling away on an incline. The hold operates for approximately two seconds.



Tyre pressure monitoring.

The optional tyre pressure monitoring display (standard on kombi) activates a warning signal to highlight significant changes in tyre pressure. This lets the driver know that the tyre pressure should be checked as soon as possible.

An intelligent driving experience. Assistance when you need it.



Front Assist with City Emergency Braking System.

Standard Front Assist area monitoring system with City Emergency Braking System detects critical distances, warns of hazardous situations and when necessary, triggers emergency braking.



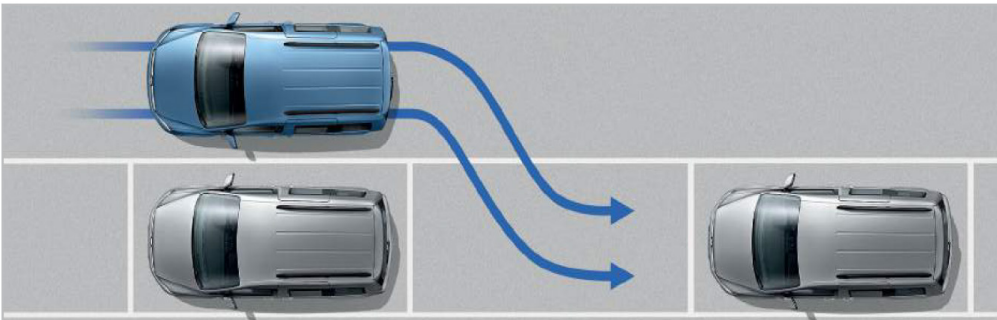
Adaptive Cruise Control (ACC).

Available as an option, ACC uses a front radar to measure the distance (up to 120m) and speed relative to vehicles driving ahead. It automatically regulates the pre-set distance.



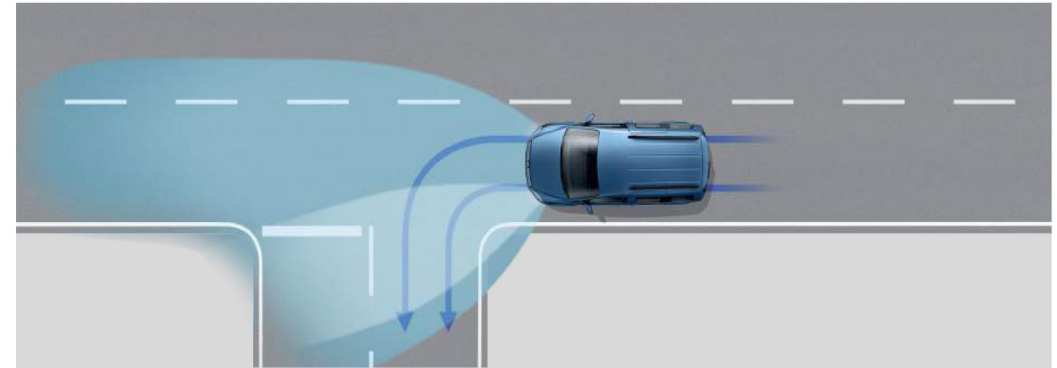
High Beam Assist.

Available as an option, High Beam Assist automatically dips the headlights and prevents dazzle for oncoming vehicles, or vehicles travelling ahead. At night time at speeds of above 37mph, the system automatically switches the headlights to high-beam.



Park Assist.

This useful option aids positioning into parking spaces. When reverse is engaged, the vehicle assumes control of the steering. All that's required of the driver is to operate the clutch, accelerator and brake pedals.



Fog lights with integrated cornering lights.

Available as an option, these help to illuminate curves and bends in the road ahead. This aids the driver in spotting any obstacles where the vehicle is turning.

Access made easy. Rear door solutions.

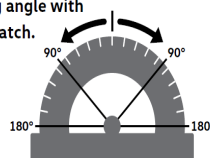
Load. Unload. The doors of a commercial vehicle are opened and closed repeatedly throughout the course of a working day. That's why the Caddy is built with hinges, rails and handles that are designed for hard work. We also know that flexibility is important, so the rear of the Caddy is available with a choice of configurations to suit the needs of your particular business. Whether you choose the standard glazed asymmetric rear wing doors with heated windows and wash-wipe, or a glazed or unglazed tailgate with a stylish integrated rear spoiler and soft-touch operation, you'll find a low load bed, combined with a generous opening width of 1,181mm and height of 1,129mm, which helps to make load access easy and convenient.



Rear wing doors

180°

opening angle with
secure latch.



Versatility. Flexibility. Choice.

Load space solutions.

All Caddy models provide a spacious load compartment that can be tailored to your needs. The standard specification includes multiple load-lashing rings (six on Caddy and eight on Caddy Maxi), painted load floors on panel vans and rubber floor coverings on the kombi. With a range of optional bulkheads, robust load floor coverings, storage solutions, ventilation and electrical upgrades – not to mention our range of Volkswagen accessory 'Add Ons', any Caddy can be specified to suit your requirements.



Versatile and
clever
load space solutions.



Full-height solid bulkhead. Standard on Caddy Maxi panel van.



Optional rubber load floor covering. Standard on Caddy Maxi kombi.



Multiple load-lashing rings.



Optional load compartment ventilation.

So which model do you need?

Choose your van.

Your van.

You probably already have an idea about what you need from your ideal van and what you'll need to carry. Likewise, you're sure to have an idea about what's the heaviest, tallest, widest or longest load you'll need to get into your vehicle. If you're a Fleet Manager, then you'll probably need a variety of options and more than one vehicle. Bearing these factors in mind, the information featured here is designed to help as a quick guide to which vehicle may be the closest match to your own specific requirements.

Your trimline.

For added choice, there's a variety of trimlines available, each delivering its own distinct feel. From the robust Startline to the luxurious Highline, you're sure to find a vehicle and trimline combination that not only works hard, but also creates the right impression.

Your choice.

And remember, that's not all. Every Caddy is available with a wide range of options and accessories – all designed to further help tailor your vehicle to your own particular needs.

So which model do you need?

How to select your van:

1. Think about the maximum length and height of your load. This will help you choose either a Caddy or Caddy Maxi. If you need to carry more than one passenger, you'll need to consider choosing a Caddy Maxi kombi.
2. Consider your payload ranges and think about the heaviest load you need to carry. This will help you to check that your choice is suitable.
3. If you've chosen a Caddy or Caddy Maxi, decide on your preferred trimline.
4. Take a look at the separate Caddy price list to discover which engines and options are available for your chosen van.

Caddy panel van.

Load length: 1,779mm
Load height: 1,244mm
Payload: 545-734kg

3.2m³
load area volume.

Trimlines:
Startline, Trendline, Highline

Engines:
TDI: 102PS, 150PS
TSI: 102PS



Caddy Maxi panel van.

Load length: 2,249mm
Load height: 1,259mm
Payload: 700-736kg

4.2m³
load area volume.

Trimlines:
Startline, Trendline, Highline

Engines:
TDI: 102PS, 150PS
TSI: 102PS



Dimensions.

So much more than just a stylish, agile, compact and well-built delivery van, the Caddy panel van delivers space in abundance. With a load volume of 3.2m^3 , it easily carries weights of up to 734kg and accommodates a load length of 1,779mm, load width of 1,556mm (1,170mm between the wheel arches) and load height of 1,244mm. Access at the rear is through two asymmetric wing doors, while a tailgate can be specified as an option. Side access is through a near-side sliding door, which when open, allows a width of 701mm and height of 1,097mm. If required, an off-side sliding door can be specified as an option, allowing for easy access to both sides of the vehicle.

The Caddy Maxi panel van offers many of the same great features as the Caddy panel van, but with the addition of more space. With a load volume of 4.2m^3 and a longer wheelbase, the Caddy Maxi provides an additional 1m^3 of load volume and an extra 470mm of load length – giving up to 2,249mm of usable space.

Our range of
spacious
compact vans.



1,836mm - Maximum roof height.



4,405mm - Caddy length.

4,878mm - Caddy Maxi length.

Choose your trimline.

Startline equipment.

Once you've found your ideal van – or indeed vans if you're a fleet customer, the next step is to choose your perfect trimline. Both the Caddy and Caddy Maxi have a choice of three levels (**Startline, Trendline and Highline**) – each with their own particular strengths and all designed to create the right impression for your business.



Exterior

Radiator grill, embossed, with chrome strip

Sliding door, left in load area

Black door mirrors and handles

Black front and rear bumpers

Rear wing doors with opaque film

55-litre lockable fuel tank

Steel wheels (15")

Cab Area

"Austin" cloth upholstery

Door mirrors, electrically heated and adjustable

Driver's seat with height, reach and rake adjustments

Electric front windows

Lockable glove compartment

Rubber floor covering

12v socket

Load Compartment

Full partition

Interior entry step

Load-lashings rings

Steel flooring

Door activated interior light

Audio & Communication

Bluetooth phone connectivity with trip computer and multi-function display

"Composition Colour" radio system with 5" touch-screen, MP3 compatible, CD Drive, SD card slot, AUX-IN socket and four speakers

USB input

Safety & Security

Anti-lock Braking System (ABS)

Brake assist

Daytime running lights

Driver & front passenger front and curtain airbags

Electronic Brake-Force Distributions (EBD)

Electronic Differential Lock (EDL)

Electric seatbelt tensioners

Electronic Stabilisation Programme (ESP)

Height-adjustable head restraints

Height and rake adjustable steering column

Hill hold control

Remote central locking with interior locking

Seatbelt warning when not engaged

Start/Stop system with regenerative braking



Equipment in addition to Startline. Trendline equipment.

Audio & Communication

Multi-function display "Plus"

Cab Area

Cruise control

Driver alert system

Leather wrapped steering wheel

Storage compartment under front driver and passenger seats

Twin sun visors with vanity mirrors

8 way adjustability on drivers seat, including lumbar support

Exterior

Body-coloured bumpers, mirrors and door handles

Rear park distance control

Wheel Trims



Equipment in addition to Trendline.

Highline equipment.

Audio & Communication

"Composition Media" entertainment system

Cab Area

Automatically dimming rear view mirror with rain sensor

Climatic air conditioning

Automatic driving light control

Coming home and leaving home function

Heated windscreen

Automatic headlights

Leather multi-function steering wheel & gear knob

Exterior

Front fog lights

Alloy Wheels

15" 'Caloundra' alloy wheels

16" 'Bendigo' alloy wheels - Standard on 150hp

Safety & Security

Lockable wheel bolts



Paint & upholstery.



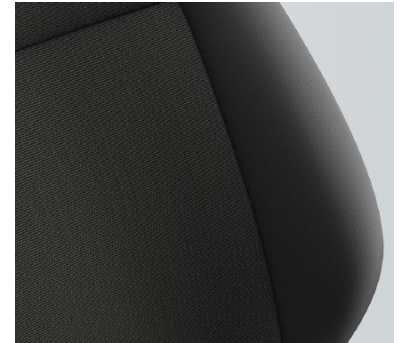
Candy White



Pure Grey



Cherry Red



Austin
Titanium Black Cloth



Reflex Silver*



Indium Grey*



Deep Black (Pearlescent Effect)*



Marathon
Moonrock Robust Cloth



Chesnut Brown*



Starlight Blue*



Blackberry*



Leatherette
Moonrock Synthetic Leather



Acapulco blue*



Fortana Red *



Mojave Beige*

*Optional extra at additional cost

Wheels.

01. 15" wheel trim. Standard on 102PS Trendline.

02. 15" Caloundra. 6J x 15 alloy wheels with 195/65 R15 tyres. Standard on 102HP Highline.

03. 16" Bendigo. 6J x 16 alloy wheels with 205/55 R16 tyres. Standard on 150HP Highline.

04. 16" Fortaleza. 6J x 16 alloy wheels with 205/55 R16 tyres.

05. 17" Canyon. Silver/Anthracite. 6J x 17 alloy wheels with 205/55 R17 tyres.

06. 17" Canyon. Silver/Anthracite. 6J x 17 alloy wheels with 205/55 R17 tyres.

07. 17" Rockhampton. 6J x 17 alloy wheels with 205/55 R17 tyres.

01



02



04



03



07



05



06



Audio and Communication.



01 Composition Colour DAB+ radio system.

Standard on all Caddy models, the Composition Colour DAB+ radio system features a 5" TFT touch-screen colour display, USB port, Bluetooth®, SD card slot, AUX-IN interface, MP3 and WMA compatible CD drive, 4 x 20 watt output with two speakers and a dual tuner with Phase Diversity for optimum radio reception.

02 Composition Media DAB+ radio system.

The optional Composition Media DAB+ radio system features an increased touch-screen size of 6.33" with proximity sensor, USB port, Bluetooth®, SD card slot, AUX-IN interface, MP3 and WMA compatible CD drive, 4 x 20 watt output with four speakers and a dual tuner with Phase Diversity for optimum radio reception. App-Connect is available as an option for this system.



03 Discover Media satellite navigation system.

The Discover Media satellite navigation system builds on the strengths of the Composition Media DAB+ radio system by adding satellite navigation and a second integrated SD card slot compatible for map data. The system includes free updates for the pre-installed European maps through Volkswagen MapCare. The Discover Media satellite navigation system is standard on Highline and optional on all other models. App-Connect is available as an option for this system.



04 App-Connect.

Available as an option with the Composition Media DAB+ radio system or Discover Media navigation system. App-Connect allows you to operate special apps. The screen of your smartphone can be mirrored on the radio system's display.



Engine and Gearbox Data.

Engine specifications.	2.0TDI 102PS	2.0TDI 150PS
Engine type	Diesel, transverse, water-cooled, in-line, variable turbine geometry turbocharger with intercooler	Diesel, transverse, water-cooled, in-line, variable turbine geometry turbocharger with intercooler
Mixture preparation/injection method	Common-rail, direct injection	Common-rail, direct injection
EU exhaust emission standard	EURO 6D Temp	EURO 6D Temp
Number of cylinders	4	4
Cubic capacity	1,968cc	1,968cc
Output, PS at rpm	102 at 2,900-4,000	150 at 3,500-4,000
Torque, max. Nm at rpm	250 at 1,300-2,800	340 at 1,750-3,000
Fuel tank capacity	60 litre	60 litre
AdBlue® capacity	9 litre	9 litre
Diesel Particulate Filter [DPF]	●	●
5-speed manual gearbox	●	-
6-speed manual gearbox	-	-
6-speed dual clutch gearbox [DSG]	○	●
Front-wheel drive	●	●
Alternator	110A	110A
Battery	61Ah (330A)	61Ah (330A)

● Standard ○ Available - Not available

Diesel fuel consumption, performance and emissions.

Engine/transmission	CO ₂ emissions, g/km ¹		Combined fuel consumption mpg ¹		Combined fuel consumption (ltr/100km) ¹		Acceleration, seconds 0 - 62mph	Top speed, mph, (where law permits)
	Max.	Min.	Max.	Min.	Max.	Min.		
C20 Caddy.								
2.0TDI 102PS 5-speed manual	143	141	46.3	49.6	6.1	5.7	12.0	107
2.0TDI 102PS 6-speed DSG	141	137	44.1	47.1	6.4	6.0	12.1	106
2.0TDI 150PS 6-speed DSG	146	139	42.8	45.6	6.6	6.2	9.4	119
C20+ Caddy.								
2.0TDI 102PS 5-speed manual	143	139	46.3	48.7	6.1	5.8	16.6	107
C20 Caddy Maxi.								
2.0TDI 102PS 5-speed manual	146	141	44.8	47.9	6.3	5.9	12.5	107
2.0TDI 102PS 6-speed DSG	141	139	42.8	45.6	6.6	6.2	12.6	106
2.0TDI 150PS 6-speed DSG	146	142	41.5	44.1	6.8	6.4	9.4	119

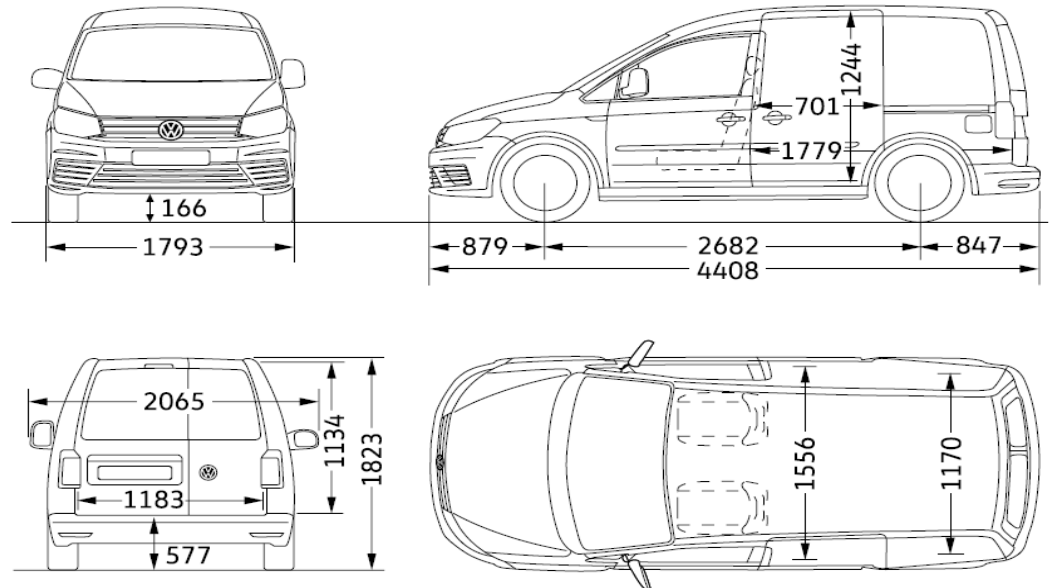
Weights.

Engine/transmission	Gross vehicle weight ¹ , kg	Axle load limit, front/rear, kg	Trailer weight braked 12%/unbraked, kg	Gross train weight, kg	Unladen weight ² , kg	Payload ³ , kg	Unladen weight ² , kg	Payload ³ , kg	Unladen weight ² , kg	Payload ³ , kg
C20 Caddy.					Startline.		Trendline.		Highline.	
2.0TDI 102PS 5-speed manual	2,161	1,075 / 1,230	1,500 / 690	3,650	1,491	670	1,509	652	1,514	647
2.0TDI 102PS 6-speed DSG	2,197	1,100 / 1,230	1,500 / 710	3,697	1,527	670	1,545	652	1,550	647
2.0TDI 150PS 6-speed DSG	2,201	1,100 / 1,230	1,500 / 710	3,701	-	-	-	-	1,554	647
C20+ Caddy.					Startline.					
2.0TDI 102PS 5-speed manual	2,231	1,075 / 1,250	1,500 / 690	3,650	1,493	738				
C20 Caddy Maxi.					Startline.		Trendline.		Highline.	
2.0TDI 102PS 5-speed manual	2,319	1,150 / 1,300	1,500 / 740	3,650	1,582	737	1,600	719	1,605	714
2.0TDI 102PS 6-speed DSG	2,346	1,175 / 1,300	1,500 / 750	3,800	1,618	728	-	-	1,641	705
2.0TDI 150PS 6-speed DSG	2,353	1,150 / 1,300	1,500 / 750	3,800	-	-	-	-	1,648	705

Dimensions.

Caddy panel van.

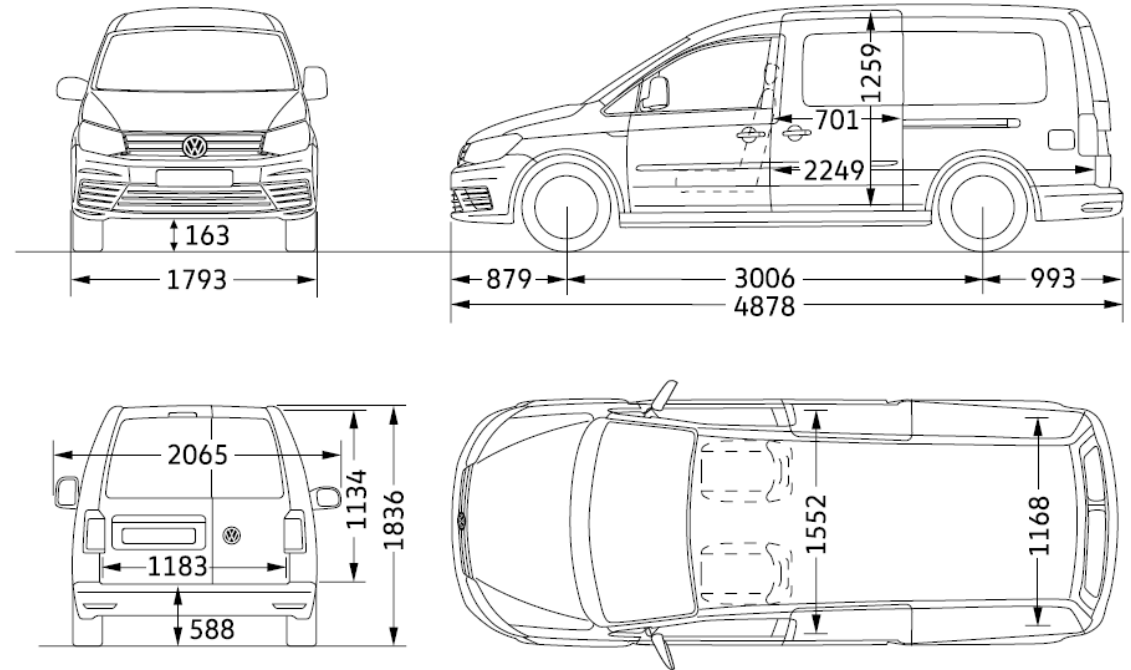
Wheelbase		2,682
Load compartment	length	1,779
	width	1,556
	width between wheel arches	1,170
	height	1,244
	load volume	3.2m ³
Side sliding door	width	701
	height	1,097
Rear wing doors	width	1,183
	height	1,134
Turning circle (wall to wall)		11.1m



Dimensions continued.

Caddy Maxi panel van.

Wheelbase		3,006
Load compartment	length	2,249
	width	1,552
	width between wheel arches	1,168
	height	1,259
	load volume	4.2m ³
Side sliding door	width	701
	height	1,097
Rear wing doors	width	1,183
	height	1,134
Turning circle (wall to wall)		12.2m



Please note: Vehicle drawings are not to scale. All dimensions in millimetres (mm), unless otherwise stated. The height measurements listed may vary by ± 50 mm depending on model and equipment fitted.

The Caddy - Price List.

Panel Van

Trimline	Model Code	Engine / Transmission	RRP (ex VAT)	VRT	VAT	RRP (incl VAT)	ROTR* (Incl Delviey)
Startline	SAAA22	2.0 TDI 102hp 5-speed manual	€ 15,681.82	€ 200.00	€ 3,293.18	€ 19,175.00	€ 19,975.00
	SAAA26	2.0 TDI 102hp 6-speed DSG*	€ 19,111.57	€ 200.00	€ 4,013.43	€ 23,325.00	€ 24,125.00
Trendline	SAAA22	2.0 TDI 102hp 5-speed manual	€ 16,690.08	€ 200.00	€ 3,504.92	€ 20,395.00	€ 21,195.00
	SAAA26	2.0 TDI 102hp 6-speed DSG*	€ 19,979.34	€ 200.00	€ 4,195.66	€ 24,375.00	€ 25,175.00
Highline	SAAA22	2.0 TDI 102hp 5-speed manual	€ 18,177.69	€ 200.00	€ 3,817.31	€ 22,195.00	€ 22,995.00
	SAAA46	2.0 TDI 150hp 6-speed DSG*	€ 23,235.54	€ 200.00	€ 4,879.46	€ 28,315.00	€ 29,115.00

Panel Van Maxi

Trimline	Model Code	Engine / Transmission	RRP (ex VAT)	VRT	VAT	RRP (incl VAT)	ROTR* (Incl Delviey)
Startline	SAHA22	2.0 TDI 102hp 5-speed manual	€ 17,020.66	€ 200.00	€ 3,574.34	€ 20,795.00	€ 21,595.00
Trendline	SAHA22	2.0 TDI 102hp 5-speed manual	€ 18,053.72	€ 200.00	€ 3,791.28	€ 22,045.00	€ 22,845.00
Highline	SAHA22	2.0 TDI 102hp 5-speed manual	€ 19,475.21	€ 200.00	€ 4,089.79	€ 23,765.00	€ 24,565.00
	SAHA46	2.0 TDI 150hp 6-speed DSG*	€ 23,756.20	€ 200.00	€ 4,988.80	€ 28,945.00	€ 29,745.00

Accessories.



€54.97

Part Number SWB 2K5075101A

Front Mud Flaps.

Long-lasting and durable: the Volkswagen Genuine mud flaps effectively protect the underbody, side rails and doors against excessive dirt. They also enormously reduce the impact of dangerous road chippings and water spray.



€80.41

Part Number 2K0072193B

Door Window Deflector.

The door wind deflector for the front side vehicle doors enables optimal ventilation of the vehicle interior, thus contributing to your driving comfort. It improves the interior climate and allows you to enjoy circulating fresh air even when it is raining or snowing.



€65.40

Part Number 2K0075101A

Rear Mud Flaps.

Long-lasting and durable: The Volkswagen Original mud flaps effectively protect the underbody and bumpers against excessive dirt. Moreover, the danger from road chippings and spray is reduced enormously.



€35.97

Part Number 2K0061512 82V

Floor Mats.

The high-quality all-weather footmats are tailored to the contours of the interior. They are hard-wearing, long-lasting and have a non-slip underside. Dirt and moisture can be removed simply.



€239.54

Part Number 2K3 017 200

Glass Protective Grille.

The protective grille made of metal for the window in the rear doors. The protective grille that is screwed together with the door frame protect against damage during transporting and when loading and unloading. The grille makes it difficult to break the window open.



€65.30

Part Number 2K0061160

Caddy Boot Liner.

Flexible and shaped-to-fit cargo space inlay. The 5 cm peripheral edge is decorated with embossed lettering. The cargo space inlay can be rolled up if necessary.



€329.04

Part Number 2K0071126

Genuine Roof Bars x2.

Well equipped underway - thanks to the Volkswagen roof bar system. The basis is the Volkswagen Original roof bars, to which, for example, ski and snowboard holder, cycle carrier, surfboard holder or the practical roof box can be attached.



€477.93

Part Number 2K3 071 254

Luggage Rack.

Just use the roof of your vehicle as an additional loading area: The luggage rack is robust and enables the roof area to be used for transporting bulky goods in an uncomplicated way. Furthermore, it has adequate lashing possibilities and can be loaded with 67 kg. For vehicles with rear doors!

Volkswagen Caddy Accessories

Top 10 accessories to keep your Caddy 100% Volkswagen.





Front Mud Flaps

Long-lasting and durable: the Volkswagen Genuine mud flaps effectively protect the underbody, side rails and doors against excessive dirt. They also enormously reduce the impact of dangerous road chippings and water spray.

Part Number 2K5075101A



Rear Mud Flaps

Long-lasting and durable: The Volkswagen Original mud flaps effectively protect the underbody and bumpers against excessive dirt. Moreover, the danger from road chippings and spray is reduced enormously.

Part Number 2K0075101A



Door Wind Deflector

The door wind deflector for the front side vehicle doors enables optimal ventilation of the vehicle interior, thus contributing to your driving comfort. It improves the interior climate and allows you to enjoy circulating fresh air even when it is raining or snowing. When the sun is shining, unpleasant heat build-up is prevented in the vehicle interior when the windows are opened to slightly above the lower edge of the wind deflector.

Part Number 2K0072193B



Caddy Boot Liner

Flexible and shaped-to-fit cargo space inlay. The 5 cm peripheral edge is decorated with embossed lettering. The cargo space inlay can be rolled up if necessary.

Part Number 2K0 061 160



Genuine Roof Bars x2

Well equipped underway - thanks to the Volkswagen roof bar system. The basis is the Volkswagen Original roof bars, to which, for example, ski and snowboard holder, cycle carrier, surfboard holder or the practical roof box can be attached.

Part Number 2K0071126



Loading sill protection – Stainless Steel Look

Perfect protection with a sophisticated look – the precisely dimensioned plastic loading sill protection with a high-quality, stainless steel look not only protects the bumper against scratches during loading and unloading of the luggage compartment but also enhances its appearance! Adheres quickly and easily.

Part Number 2K5 061 195



Floor Mats

The high-quality all-weather footmats are tailored to the contours of the interior. They are hard-wearing, long-lasting and have a non-slip underside. Dirt and moisture are collected and can be removed by simply washing them away. The material is odourless and low in emissions.

Part Number 2K0061512 82V



Glass Protective Grille

Safety for your load and vehicle. The protective grille made of metal for the window in the rear doors. The protective grille that is screwed together with the door frame protect against damage during transporting and when loading and unloading. The grille makes it difficult to break the window open. Additional protection is provided by the improved vision protection from the interior and the load area.

Part Number 2K3 017 200



Luggage Rack

Just use the roof of your vehicle as an additional loading area: The luggage rack is robust and enables the roof area to be used for transporting bulky goods in an uncomplicated way. Furthermore, it has adequate lashing possibilities and can be loaded with 67 kg. For vehicles with rear doors!

Part Number 2K3 071 254



App-Connect

App Connect – Innovative technologies that allow you to bring smartphone apps onto your infotainment system's touchscreen: the new CarPlay™ function from Apple, and the Android Auto™ function from Google.

APPLE CARPLAY™ from Apple, you can manage selected apps from your iPhone while on the move. The apps can be operated with all the ease that you'll have come to expect from an iPhone. Maps, phone, news, music – everything just at the touch of a button. And if you choose, you can even operate the system by voice control. As well as the apps from Apple™, CarPlay™ supports other apps such as Spotify, Stitcher, & Skype .

ANDROID AUTO™ from Google enables you to operate suitable apps safely from your smartphone using the Android operating system while driving. With Google Voice, you operate everything by voice input, and you can listen to songs using Google Play Music, Pandora or Spotify, for example. Many other apps are also already supported. As well as the apps from Google™, Android Auto™ supports other apps such as Joyride, Podcast Player, Spotify, Stitcher, Umano, and Pocket Cast.

Part Number 7H0054830



The variable vehicle equipment made of aluminium, steel and plastic for maximum individuality with low weight!



System Block 18

- 1 subassembly with panel
- 1 storage shelf with separating plates and anti-slip mat
- 1 storage shelf with 5 storage boxes (Size 2)
- 1 upper frame element with separating plate and anti-slip mat
- 1 attachment set
- With cutting for wheelbase
- Dimensions (W x H x D): 1,112 x 930 x 380 mm
- Total weight: 32,5 kg
- Art. No. 0963 60 818



System Block 19

- 1 open subassembly
- 2 storage shelves with separating plates and anti-slip mats
- 1 attachment set
- With cutting for wheelbase
- Dimensions (W x H x D): 834 x 865 x 380 mm
- Total weight: 21 kg
- Art. No. 0963 60 819



Functional Drawer Handle

Quick opening across the entire width: The functional drawer handle enables any drawer to be opened any closed anywhere – without the need to fumble around with small, inconvenient handles.



Workbench

The workbench always travels along: It takes up hardly any room in the vehicle itself, and at the place of use it can be pulled out as required with a few quick hand movements and secured with the quick-action retainer.



Hinged Flaps

The practical hinged flaps of the shelves are opened with a handle. Like the covers and the drawer handles, they are made of high quality anodized aluminum.



Drawer Inserts

Safe storage and organization: Many inserts and orderly sorting systems, along with the patented locking system for the drawers, make sure that your goods remain where they are supposed to be during transport.



Rhino are Europe's leading van accessory manufacturer, supplying an innovative range of Roof Racks, Roof Bars, Steps, Ladder Restraints & more for the commercial vehicle market.

Their products are made in the UK to the highest of standards, ensuring the utmost in performance, durability and aesthetics.

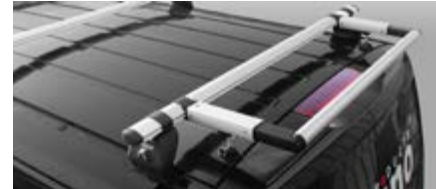


KammBar®

KammBar® is the latest evolution in roof bar design, and can be fitted to all of Europe's leading commercial vehicles.

Developed using the latest technologies in design and manufacturing, and inspired by the work of Professor Wunibald Kamm Rhino has produced one of the most aerodynamic bar profiles to date. The advanced aerodynamics don't stop with the bar design, as Rhino have also developed a new shaped load stop to work in conjunction with the KammBar®. Two pairs of load stops are supplied with the KammBar® systems.

Each cross tube can carry a weight of up to 75kg which means (in most cases) they are actually stronger than the roof of your van. This means they won't leave you wanting for any other type of roof bar system.



KammBar® Rear Roller System

To complement the KammBar® system Rhino Products have introduced a Rear Roller System to fit to the bars to aid loading and unloading whilst protecting the rear of the vehicle.

The KammBar® rear roller system retains the same virtues as the KammBar® of both strength and modern styling combined, with features such as adjustable supports to allow for the optimum position of the stainless steel roller.



Aluminium Rack / Roof Rack

Not enough space in the back of the van?
In need of making the perfect use of all of the space you have available on your vehicle? Our "Next Generation" Aluminium Rack is the answer to your equipment transportation needs.

- Manufactured From Anodised Aluminium Alloy
- Aerodynamic Crosstubes Reduce Wind Noise & Drag
- Supplied Complete With A Full Width Stainless Steel Roller
- Anti-Rattle Connectors & Aerodynamic End Caps
- Quick & Easy Assembly
- Available To Fit To The Majority Of Today's Commercial Vehicles
- Fits To Vehicles Via The Manufacturers Mounting Points (No Drilling Required)
- TUV Rheinland Certified – 20g Crash Tested



Modular Rack

The Modular Rack is a fully welded, heavy duty system that allows quick and easy installation using bolted together modular sections.

The rack includes an aerofoil that significantly reduces overall wind noise and drag as well as a full width roller system that aids loading and unloading.

All racks enable the transportation of 8' x 4' boards.



SafeClamp®

SafeClamp® incorporates strength, speed and style to provide a revolutionary ladder clamping system.

SafeClamp® uses a composite beam structure and stainless steel anchor hook which offers high strength whilst providing excellent corrosion resistance.

The innovative one touch clamping method (patent pending) ensures that the operation is 5 times faster than traditional screw-down ladder clamps.

Supplied complete with key locks, 2 keys supplied.



PipeTube

The PipeTube incorporates strength, style and security to provide the best method of transporting copper pipe, conduit or similarly lengthy materials.

Innovative design and high specification materials have ensured the PipeTube has passed a rigorous testing process.

The PipeTube design enables the transportation of up to 50 x 15mm copper tubes or similar materials.

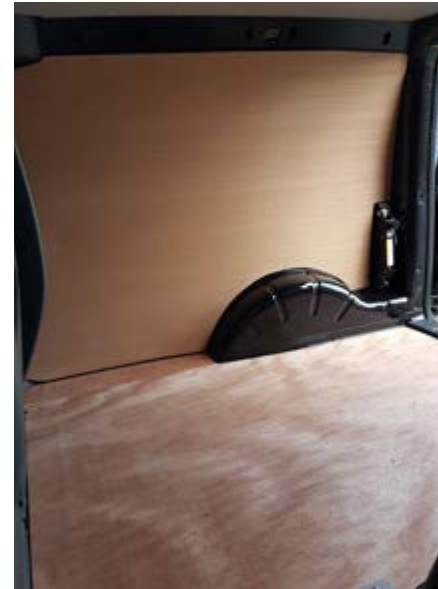
The Side Mounted PipeTube is only available for modular roof racks in combination with a 3 metre PipeTube.

Van Lining

Protecting the cargo area of your van.

Lining your Volkswagen Commercial Vehicle offers a smoother loading surface for the inside of your van, while also providing a great foundation for internal storage solutions.

Choose from one of three options depending on your needs.



Standard Plywood Fit

Multipurpose high quality product selected for various applications where excellent strength is essential. Due to its light, smooth and even surface this Plywood offers an optimal base for different overlaying methods.

Properties

- Excellent strength/weight ratio
- Possibility to customise according to your needs
- Light, smooth and hard surface
- Wide size and thickness range available with strict tolerances



Brown "Wire" Flooring

Brown "Wire" board is a wood based laminated panel with a wire mesh type pattern intended for extra heavy use as truck and trailer flooring and building applications such as warehouses and loading platforms. The wear resistant coating prolongs the service life of vehicles.

Properties

- Multilayer laminated flooring panel
- Excellent wear resistance
- Slip resistant surface with strict tolerances



Grey Coated Ply Flooring

Plywood coated with grey film and imprinted with a hexagonal pattern. It is intended for use as flooring in the transport industry, i.e. delivery vans, specialist service vehicles, and mobile work stations. This board is the best choice when durable, slip resistant flooring is needed.

Properties

- Wear resistant
- Slip resistant

Extended Warranty Options for Additional Peace of Mind

It's always more comforting to have a warranty, should you experience any sudden failure during the cover period, you're covered for the repairs and replacement of factory-fitted mechanical and electrical components of your vehicle. We offer an Extended Warranty that you can purchase anytime from 6 months before your existing warranty is due to expire.



The Benefits of an Extended Warranty

A warranty gives more than peace of mind. It provides business owners with access to trained Volkswagen technicians who are happy to help you get moving again should your vehicle experience some trouble. With a Volkswagen Commercial Vehicle Extended Warranty, any repairs will be carried out by our experienced team using only genuine parts. You can relax knowing that you will benefit from the expert care that only a Volkswagen Van Centre can deliver.

Extended Warranty Pricing

Year	3rd	3rd & 4th	4th	4th & 5th
Months	12	24	12	24
RRP	€528	€704	€528	€704

*All prices excluding VAT

Complete
Peace of mind
Personal service
Expert Technicians
Genuine parts
ALL YOUR
service needs
at a time that
suits you
one
fixed
price



Protect the value of your van

Who says you can't buy peace of mind? A **Volkswagen Commercial Vehicle Service Plan** keeps your van as good as new. Your routine services are covered, including pollen filters, air filters, and brake fluid replacement. What's more, our expert technicians and specialist tooling will ensure your Volkswagen Van keeps running exactly as it should.

With the added protection that comes with only ever using genuine Volkswagen parts, you're ensured performance and durability. Plus, because all work is carried out to exact Volkswagen standards, you are protecting the future value of your van with every service.

One inflation proof monthly fee*

- Plans available for both Fixed and Longlife servicing schedules
- Pollen filter, air filter and brake fluid replacement all included
- Genuine Volkswagen parts guaranteed, always
- Expert technicians and specialist tooling
- Protects the future value of your Volkswagen van

*Monthly price of service plans vary per model

Just some of the benefits of a Commercial Vehicle Service Plan.



Fixed and longlife servicing schedules



Covers all routine services



Always genuine Volkswagen parts



Expert technicians



Specialist tooling

Freedom Now and later

With a **Volkswagen Commercial Vehicle Service Plan**, you pay one easy monthly fee[†] that takes care of everything. It means you can spread the cost of your servicing and make budgeting easier. When your service is due, simply book it in with your local Volkswagen Commercial Vehicles Service Centre and let our expert technicians look after everything.

When it comes to trading up or selling, you will be glad you had a Volkswagen Commercial Vehicle Service Plan. As you have given your car all of the expert attention it needs throughout your Volkswagen journey, you are protecting the future value of your Volkswagen.

Service Plan Pricing

45,000km
(Regular Schedule)

3 Services @
15,000km
30,000km
45,000km

All the basics:
Oil service
Complete vehicle health check
Service updates and all service enhancements
Pollen filter and brake fluids renewed
Screenwash renewed and all service indicators fully reset

€683.65 upfront payment
€18.99 monthly payment

60,000km
(Long Life Servicing)

2 Services @
30,000km
60,000km

Additional Features:
Spark Plug Replacement (if required)
Auto Gear Oil Change & Filter

€551.76 upfront payment
€22.99 monthly payment

90,000km
(Long Life Servicing)

3 Services @
30,000km
60,000km
90,000km

Additional Features:
Air Filter Replacement
Fuel Filter Replacement
Brake Fluid Change

€827.64 upfront payment
€22.99 monthly payment

The Caddy Panel Van

This brochure supersedes all previous publications.

Issue: 24 August 2020

www.volkswagenvans.ie

Please note: Screen technology does not allow exact reproduction of the paint and upholstery colours. Some of the vehicles shown are European specification and may be fitted with optional equipment or accessories that are available at extra cost, or do not reflect current specification. All data and specifications are in accordance with information available at the time of publication and are subject to change without notice. Vehicles not currently in Irish stock and customer order vehicles may take a number of weeks for delivery. Certain combinations of vehicle specifications and factory-fitted options are not compatible and therefore all orders received are subject to confirmation. Models, factory fitted-options and paint and upholstery options are subject to availability. Please check details and availability with an authorised Volkswagen Van Centre at the time of ordering.