

Commercial Vehicles

Rhino Accessories Brochure



Commercial
Vehicles

Volkswagen Accessories



Caddy



Kammbars

Aluminium Rack - SWB/LWB

Modular Rack - SWB/LWB

2 x KammBars
(incl. load stops) - Alloy

3 x KammBars
(incl. load stops) - Alloy

2 x Delta Roof Bars
- Anodised Steel

3 x Delta Roof Bars
- Anodised Steel

SafeClamp - 1 pair of Ladder
Clamps

Transporter



Modular Rack with Pipe Tube Attached

Aluminium Rack - SWB/LWB

Modular Rack - SWB/LWB

Rear Door Ladder

2 x KammBars
(incl. load stops) - Alloy

4 x KammBars
(incl. load stops) - Alloy

2 x Delta Roof Bars
- Anodised Steel

4 x Delta Roof Bars
- Anodised Steel

Pipe Tube - 2 Mtr/3 Mtr

SafeClamp - 1 pair of Ladder
Clamps

Access Step - ease of
access to rear

TowStep - for use with
Towbar

Crafter



Aluminium Rack

Aluminium Rack
- L2/H2, L3/H2

Rear Door Ladder

2 x KammBars
(incl. load stops) - Alloy

3 x KammBars
(incl. load stops) - Alloy

4 x KammBars
(incl. load stops) - Alloy

2 x Delta Roof Bars
- Anodised Steel

3 x Delta Roof Bars
- Anodised Steel

4 x Delta Roof Bars
- Anodised Steel

Pipe Tube - 2 Mtr/3 Mtr

SafeClamp - 1 pair of
Ladder Clamps

Access Step - ease of
access to rear

TowStep - for use with
Towbar

Volkswagen Accessories



Safeclamp



Pipe Tube



Rear Door Ladder



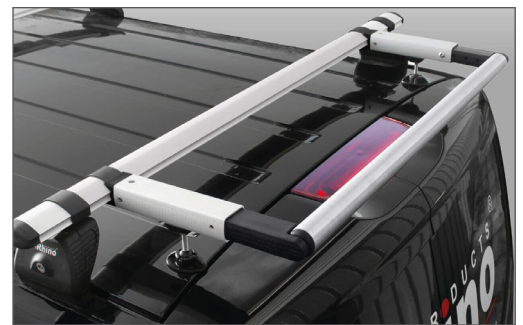
Delta Bar load Stops



Ladderstow



Kammbaar Rear Roller



Towstep

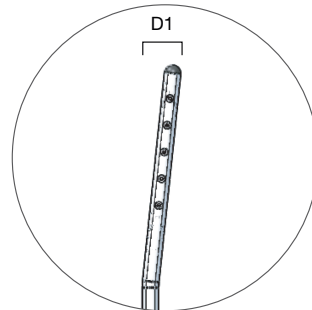


Accessstep



Aluminium Ladder

Technical Datasheet



Aluminium Ladder

Lightweight, Stylish & Strong

The Rhino Aluminium Ladder combines strength and style, to provide one of the most aesthetically pleasing roof access products available for commercial vehicles. By utilising highly robust aluminium hand rails and glass filled nylon rungs, the Aluminium Ladder offers an extremely lightweight solution. The Aluminium Ladder is available in 6, 7 and 8 rung configurations with bespoke fitting kits to suit a variety of popular commercial vehicles.



30 - 45 mins
assembly time

Standard Fitting Bracket

| Part Code | L1 | W1 | D1 | Weight |
|---------------------|--------|-------|------|--------|
| AL6 (6 rung ladder) | 1445mm | 313mm | 77mm | 2.15kg |
| AL7 (7 rung ladder) | 1719mm | 313mm | 77mm | 2.53kg |
| AL8 (8 rung ladder) | 1993mm | 313mm | 77mm | 3.05kg |

Ultra Lightweight Design

With improving fuel efficiency and an ever-increasing concern for commercial vehicle users, our team of inhouse engineers have designed the Aluminium Ladder to be as lightweight as possible, without losing any of its strength. Each model is more than 50% lighter than Rhino's old steel ladders*, and has been rigorously tested to a safe working load of 120kg per ladder both at our inhouse test facility and via professional external accreditation bodies.

*note this excludes the fitting kit weights which may vary.

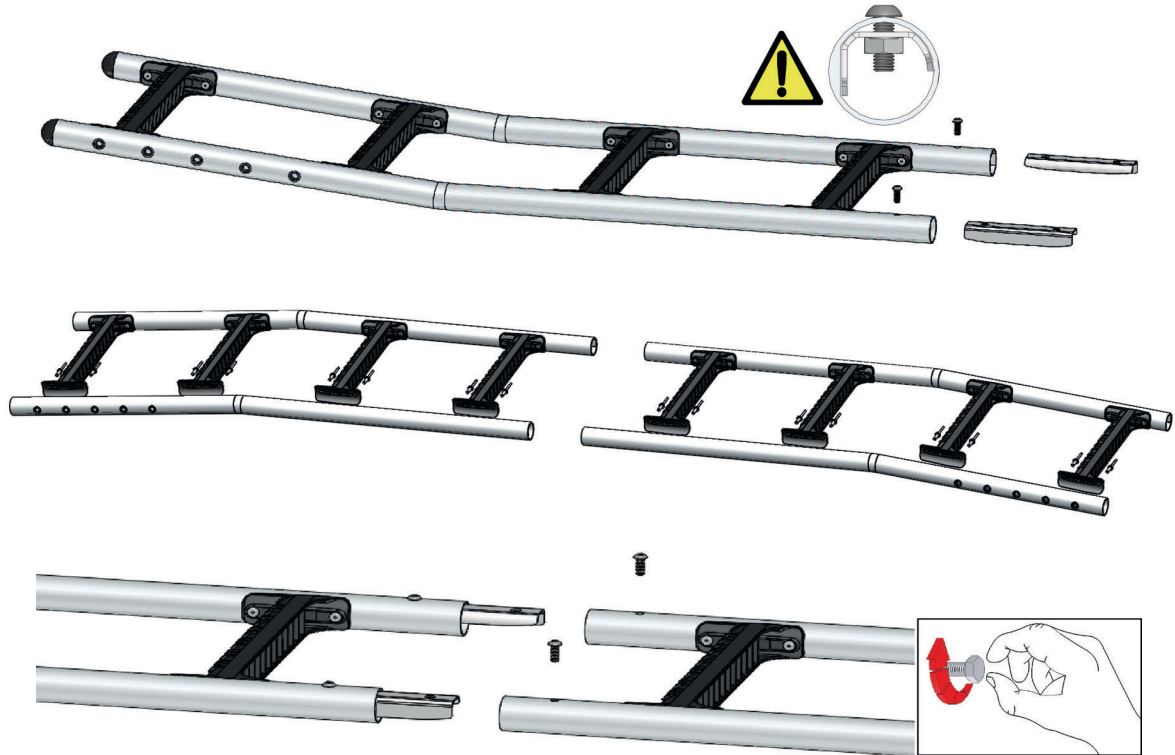
Aluminium Ladder

Assembly



Aluminium Ladder Split Frame

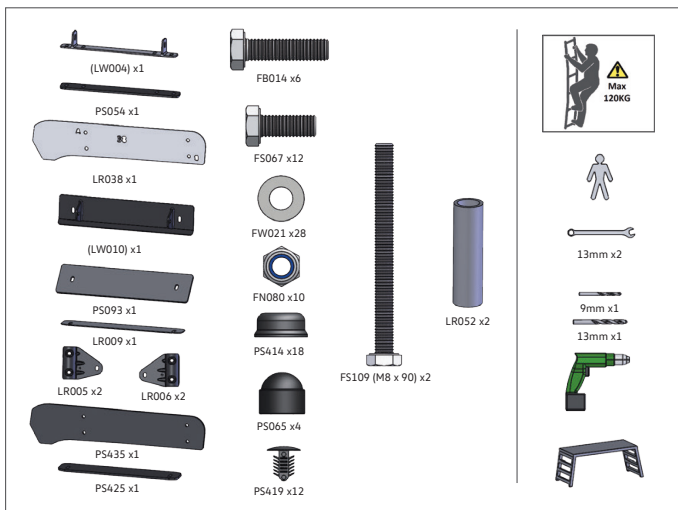
The 8 rung ladder side rails will be split in two parts (as shown below), which can be easily joined via a provided connecting mandrel. The 6 and 7 rung ladders come with side rails which are supplied as complete single pieces.



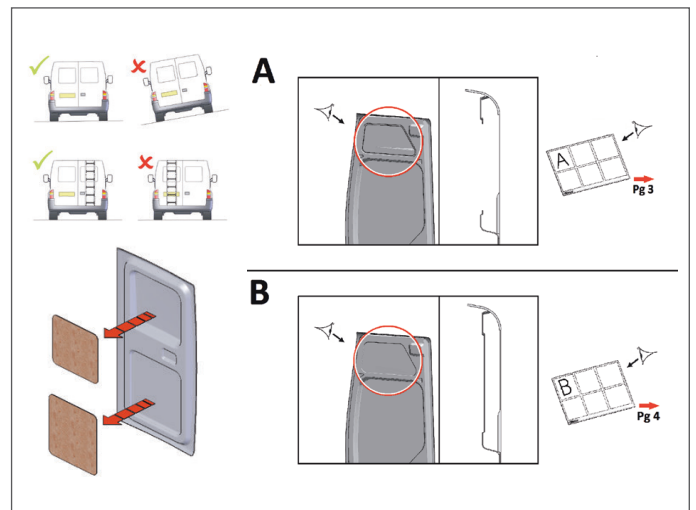
Fitting Instructions

The Rhino Aluminium Ladder comes as standard with a full detailed parts itinerary and bespoke fitting instructions as standard.

Component Sheet



Assembly Instructions



Aluminium Ladder Features



Easy Grip Aluminium Side Rails

The new Aluminium side rails offer safe working and easy roof access.

Aluminium and composite materials to reduce corrosion and increase product life.



Anti-Slip Ladder Rungs

Specially designed treads for grip in adverse weather conditions.

Aesthetically improved design.

120kg load capacity.



New Robust Brackets

The new fitting kit brackets have been redesigned to sit flush within the curvature of the rear door, helping to reduce any temporary deformation.

Our technical team have designed additional support pads that are fitted to the outside of the rear door to improve strength, particularly for vehicles with thin profile doors.



Aluminium Ladder

Features



Independently Tested

The Aluminium Ladder has been independently load cycle tested up to 120kg at Millbrook Proving Ground.

By utilising highly robust aluminium handrails and glass filled nylon rungs, the Aluminium Ladder offers an extremely lightweight but strong solution.



| Material | Where used | Advantages |
|--------------------------------|---|---|
| 6063 T6 Aluminium Alloy | | |
| | Ladder side rails | Light weight High Strength Corrosion resistant Scratch resistant |
| Glass Filled Nylon | | |
| 30% Glass filled nylon PA6 | Ladder Rungs | Light weight High strength |
| Mild Steel (CR4) | | |
| Powder coated black | Ladder front mounting bracket Ladder rear spreader plate Main Plate, front ladder bracket Rear ladder spreader plate Ladder side brackets | High Strength Wear resistant Corrosion protected |
| Adhesive Backed EPDM | | |
| | Mounting rubber Universal internal ladder pad Mounting rubber, universal ladderbracket | |

Fixings

- M8 x 30mm Hex Head Screw
- M8 x 20mm A2 Hex Head Screw
- M8 B Washer
- M8 Type T Nut
- M8 Snap-on Bolt Protection Cap
- M8 Nut Cover
- Black Nylon Fir Tree Rivets 6.4mm

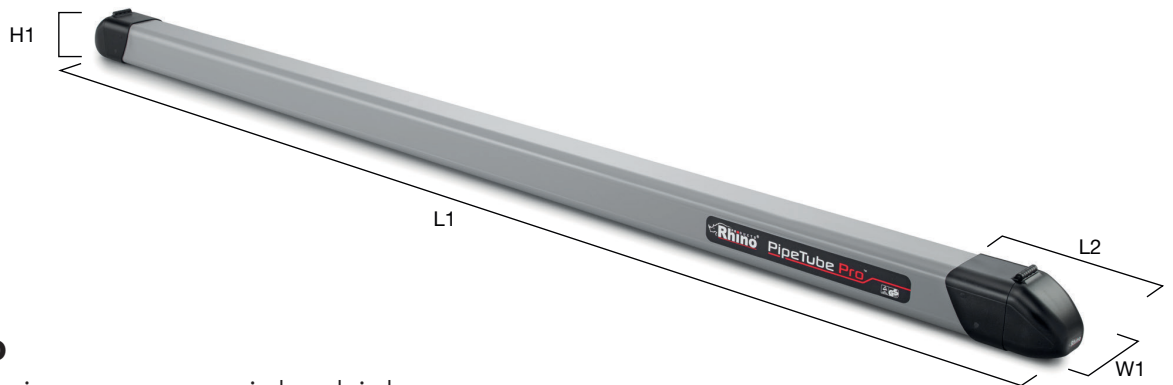
Tools required

- 13mm spanner x 2
- Screwdriver x 1
- Step x1
- Drill x 1



PipeTube Pro

Technical Datasheet



PipeTube Pro

A game-changing commercial vehicle accessory

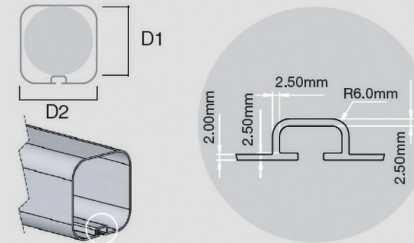
The first complete redesign of Rhino's hugely popular PipeTube since its launch in 2005, the PipeTube Pro is Europe's new leading system for securely and safely transporting copper pipe, plastic conduit and other lengthy materials. The new stylish design features an optional full length PVC lining, an upgraded integral locking system and an added rubber seal to reduce water entering the tube. In addition, the PipeTube Pro retains all the features that made it the product of choice for professional van users, such as a market leading carry capacity, twin openings and full professional crash testing and safety accreditation.



15 mins fitting time



INTERNAL DIMENSIONS

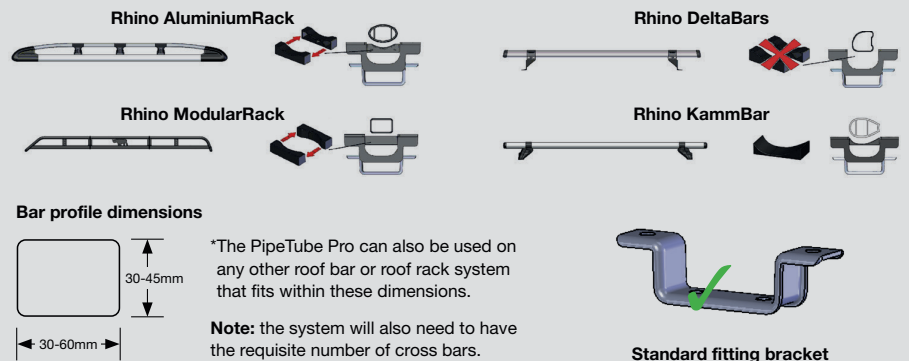


Weight and Dimensions

| | L1 | L2 | W1 | H1 | D1 | D2 | Weight |
|--------------|--------|-------|-------|-------|-------|-------|----------|
| RP21 Unlined | 3030mm | 241mm | 140mm | 160mm | 127mm | 125mm | 12.74 kg |
| RP22 Lined | 3030mm | 241mm | 140mm | 160mm | 122mm | 121mm | 17 kg |

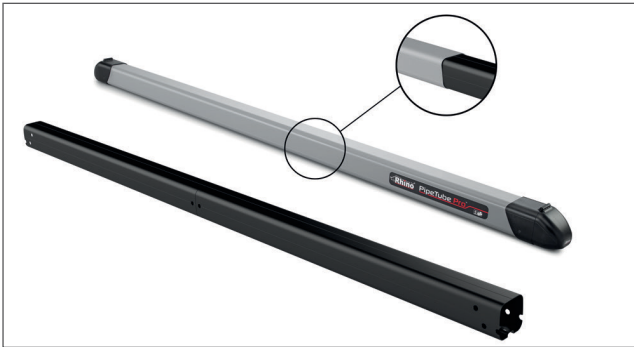
Standard Fitting Bracket

The PipeTube Pro comes with our standard fitting bracket that is compatible with all Rhino roof bars/racks and roof storage systems from other manufacturers. Every PipeTube Pro is supplied with a set of spacers that are slotted into the bracket in a specific position to suit our AluminiumRack, ModularRack, DeltaBar and KammBar products respectively.



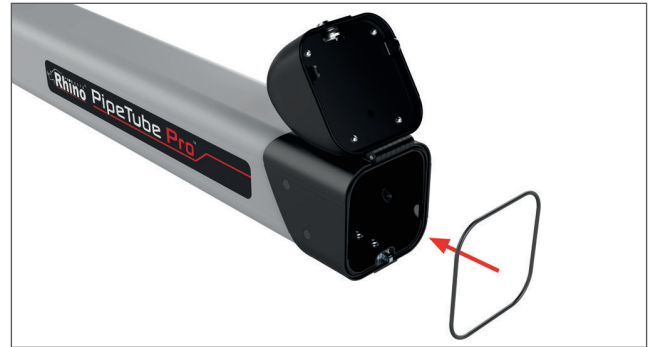
PipeTube Pro

New Features



PCV Lining

Available with or without full length PVC lining to protect the items stored inside from marking or discolouration. Particularly useful for keeping white plastic conduit in top condition.



Rubber O-Ring Seal

Rubber O-ring located within the end of the connecting sleeve, which creates a tight seal when the nose cone is closed.

The O-ring seal and PVC lining greatly reduce the oxidation process within the tube. Previously, water ingress could have led to a chemical reaction with the aluminium over time, leaving a residue in the tube.



Integral Locking System

The nose cone and connecting sleeve have been redesigned so that the lock is housed inside the tube.

Where the old PipeTube lock sat below the tube, the new design makes the lock harder to get to and provides a more seamless look and feel.

The new nose cone and sleeve design also incorporates a stronger adjoining hinge located on top of the system.

Bold New Redesign

Every element of the PipeTube Pro has been refined to provide stunning aesthetics:

- Striking new powder coated paint finish designed to work with all van colours.
- Bold new label and product logo.
- Rhino logo on end of the nose cone.
- Stylised grooves in tube extrusion.

Existing Features

- Dual openings at either end
- Key lockable (two keys supplied)
- Universal standard fitting bracket for use on all Rhino van roof bars and racks
- Independently crash tested at Millbrook Proving Ground
- Side mounting kit for use with Rhino ModularRacks
- Aerodynamic nose cone design
- Large capacity: 66 x 15mm tubes (unlined) 59 x 15mm tubes (lined)
- Strong bulkhead within tube protects nose cone

PipeTube Pro

Side Mounting Kit



Optional Side Mounting Kit for Rhino Modular Rack

Our side mounting kit is a popular optional extra for the PipeTube Pro. Consisting of two side mounting brackets and all required fixings, this kit allows a 3.0m PipeTube Pro to be mounted to the side of a Rhino Modular Rack, enabling full width usage of the rack. One key benefit this provides is the option to transport 8' x 4' boards on the roof of the van, along with the use of a PipeTube.

| Material | Where used | Advantages |
|--|------------------------------------|---|
| T6 Aluminium Alloy | | |
| | Main body | Extremely durable, high tensile and yield strength Excellent weight to strength ratio Scratch resistant |
| Glass Filled Nylon | | |
| 30% Glass filled nylon PA6 | Nose Cone End Cap Sleeve | Tensile strength greater than standard nylon Increased stability when exposed to temperature changes |
| Steel | | |
| DP600 Steel Stainless Steel 303 Mild Steel | Lock Hasp Hinge Pin Bulkhead | |
| PCV | | |
| | PipeTube Lining | Good for extrusions Great thermal properties |

Fixings

- M8x35mm Square Neck Coach Screw
- 'T' Track Lock Plate M8
- M8 A2 form B Washer
- M8 A2 Nyloc Nut. Type P

Tools required

- 2x Spanner 13mm
- 1x Step/Ladder
- 1x Measuring tape

